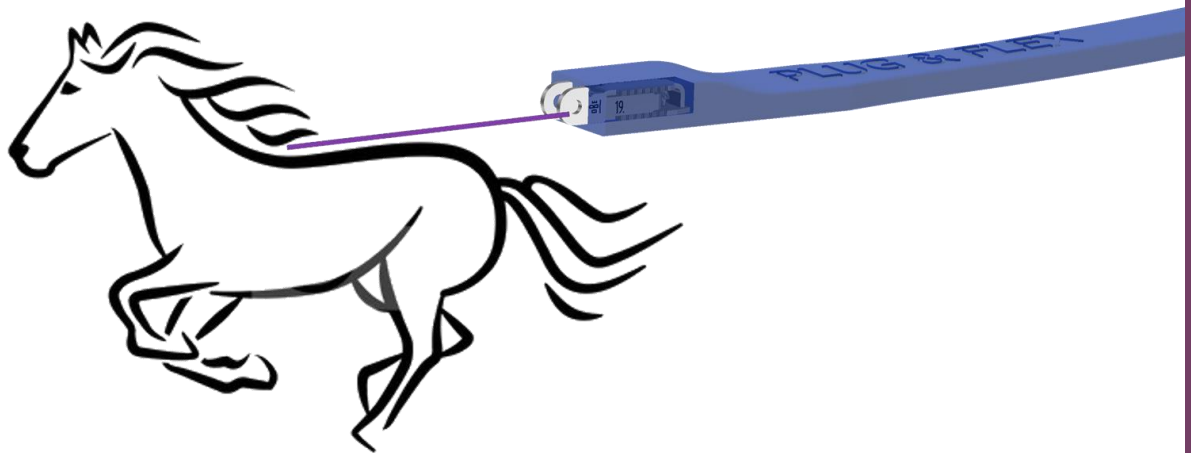


Plug & Flex

WITH FLEXUNO

**New standards of durability, stability
and processing**



HIDDEN SPRING HINGES

Plug & Flex

WITH FLEXUNO

60-49460.200.10

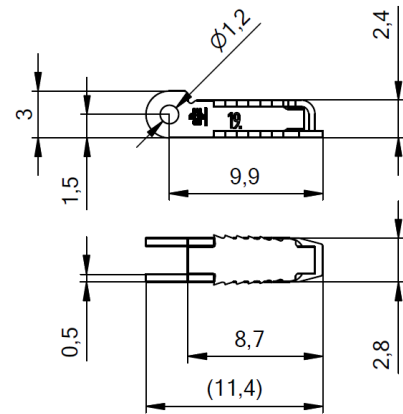
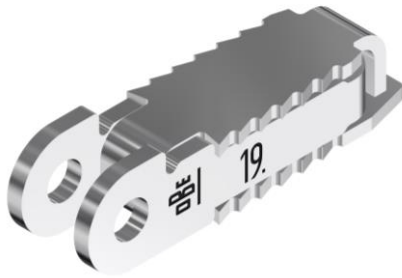
The product – 100% stainless steel → no nickel release

The new Plug & Flex from OBE is a completely new spring hinge based on the proven zero rocking flexUno principle. The stability is granted thanks to a simple 3 piece construction made 100% in stainless steel:

- Side hinge
- Spring
- Retainer with 28 integrated teeth

Plug & Flex is designed mainly for injected frames.

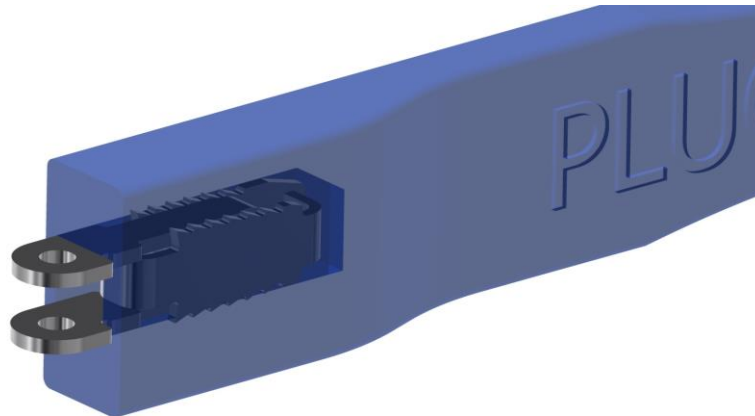
Thanks to the slim construction the temple thickness in TR90 or Nylon is reduced to maximum 4.6 mm.



The speciality

The construction of Plug & Flex makes the processing easy, cost effective and therefore very economic. In fact the assembled product is just inserted in the pre-defined temple hole. The processing time is reduced by 50% compared to comparable products. Thanks to the special teeth construction the tear out force is extremely high.

The spring hinge construction enables additionally to regulate the spring force according to the individual requirements.

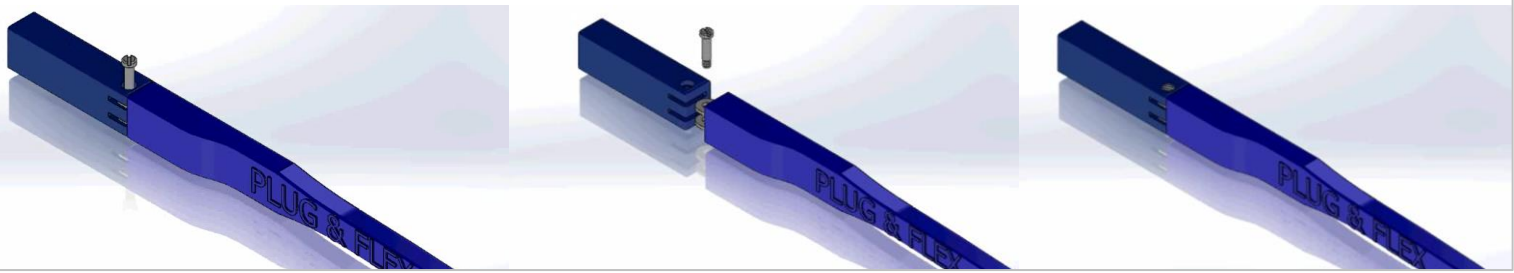
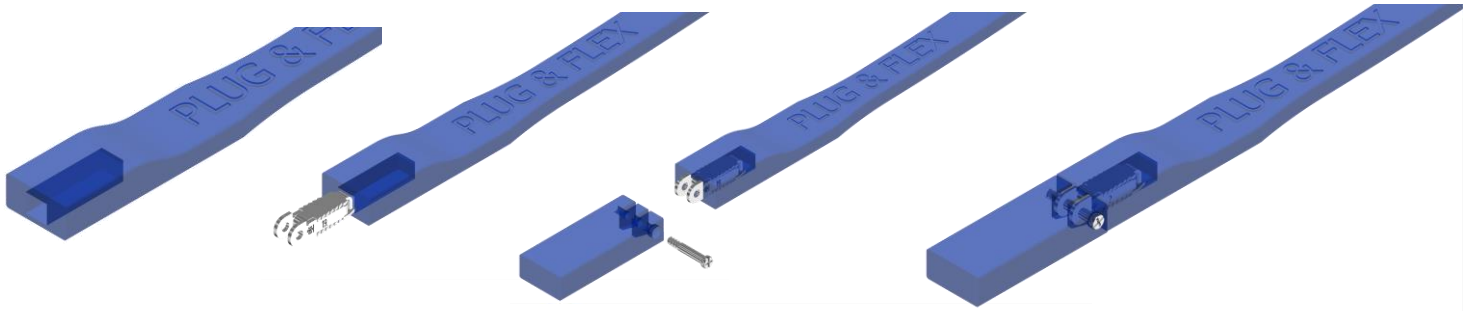


Plug & Flex

WITH FLEXUNO

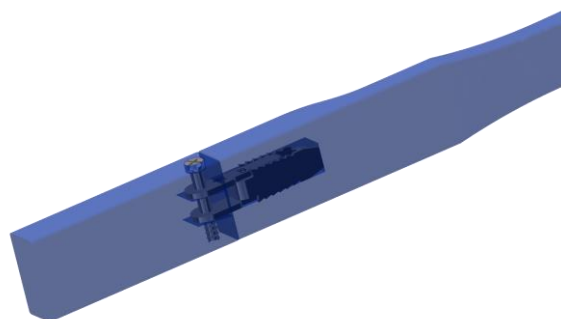
Easy processing

The spring hinge is inserted very easily in the appropriate hole according to the dimensions of our product information. After insertion just assemble the direct joining screw!

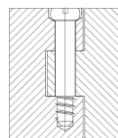


The matching parts

For the direct joining option OBE offers 2 screw lengths.



Direct joining screws for plastic frames



99-02910 - 6.0 mm

99-02911 - 8.0 mm





OBE GmbH & Co. KG · Turnstr. 22 · 75228 Ispringen · Germany
Tel. +49 7231 802-0 · www.obe.de · info@obe.de