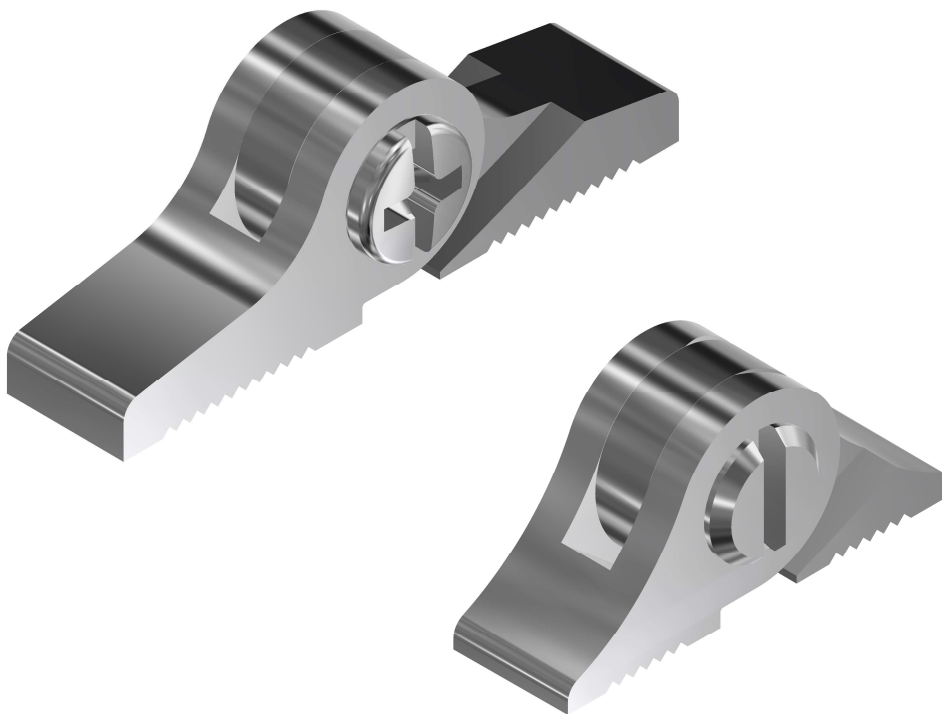


# Space hinges

NICKEL SILVER

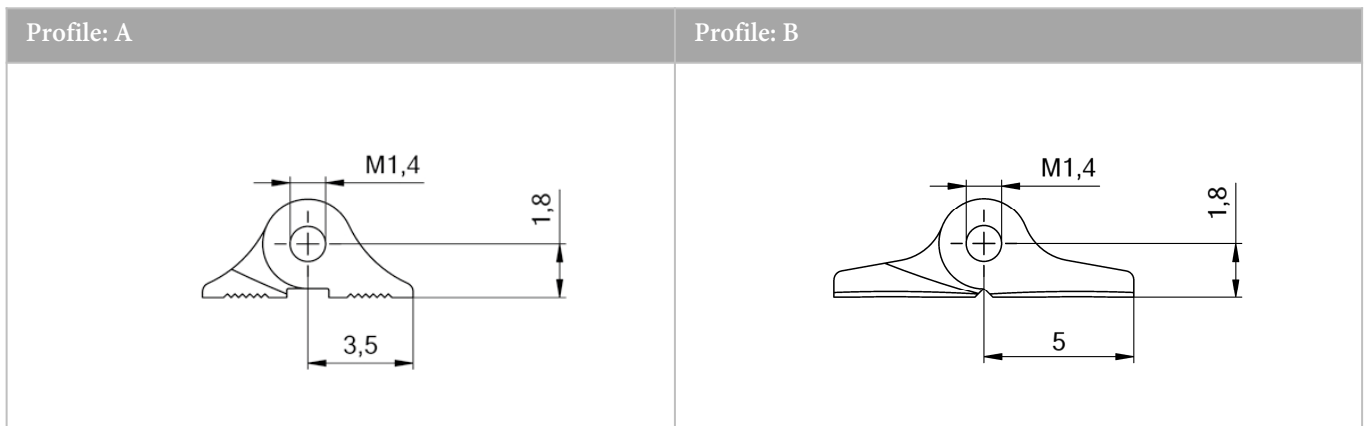
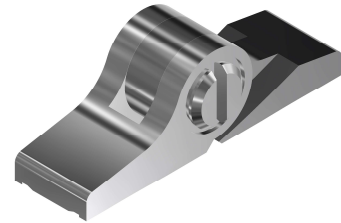


Regular hinges

# Space hinges

NICKEL SILVER

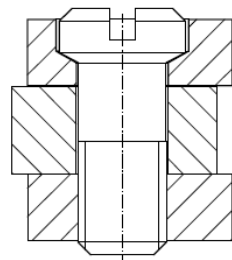
- Regular nickel silver hinge for metal templates
- Optional smooth movement & anti-loosening function with Space screws
- For soldering or welding
- Available widths: 3.0 / 3.5 / 4.0 mm
- Delivery status loose – assembled with screw upon request



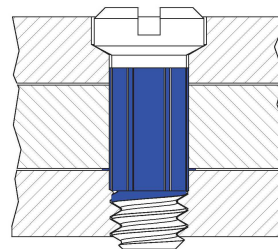
## Matching parts

| Art.No.      | 51-04200  | 50-04236  | 51-04206  | 51-04120  | 51-04418    | 51-04121    | 51-04205    |
|--------------|---|---|---|---|-------------|-------------|-------------|
| Profile      | A soldering   | B welding   | A soldering   | B soldering   | A soldering | B soldering | A soldering |
| Width        | 2.1   | 2.1   | 3.0   | 3.0   | 3.5         | 3.5         | 4.0         |
| Slot         | 0.9   | 0.9   | 1.2   | 1.2   | 1.4         | 1.4         | 1.6         |
| Screw head Ø | 2.5   | 2.5   | 2.0   | 2.0   | 2.0         | 2.0         | 2.0         |
| Screws       | <br>Space<br>99-01528.600<br>99-02328.600<br>99-01435 | <br>Space<br>99-01524.600<br>99-02324.600<br>99-01375 | <br>Space<br>99-01525.600<br>99-02325.600<br>99-01376<br>99-01700 | <br>Space<br>99-01527.600<br>99-02327.600<br>99-01377 |             |             |             |

Standard



Space



OBE GmbH & Co. KG · Turnstr. 22 · 75228 Ispringen · Germany  
 Tel. +49 7231 802-0 · Fax +49 7231 802-156 · www.obe.de · info@obe.de