

flexUno  
WORLD



# Benefits



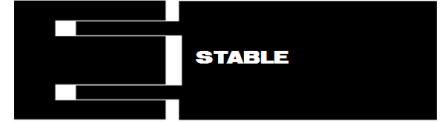
**SIMPLE**

3 PIECE CONSTRUCTION



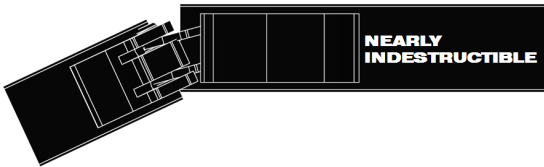
**STRONG**

U SHAPED STAINLESS STEEL MECHANISM



**STABLE**

FIVE BARREL CONSTRUCTION



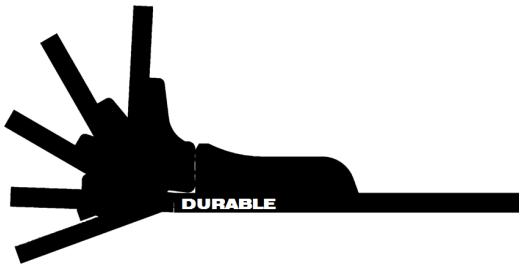
**NEARLY  
INDESTRUCTIBLE**

CONSTRUCTION PERMITS A WRONG USE



**RESISTANT**

HIGH PULL OUT FORCE



**DURABLE**

50.000 MOVEMENTS GUARANTEED



**EASY FITTING**

EASY PANTHOSCOPIC FITTING



**EXCHANGEABLE**

MECHANISMS OPTIONALLY REPLACEABLE

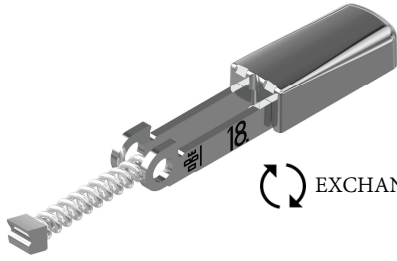


**ZERO ROCKING**

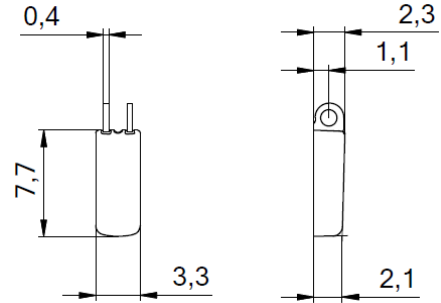
NO SHAKING EVEN IN WIDE TEMPLES

60-44031.XXX

soldering or laser welding



EXCHANGEABLE MECHANISM



60-44031.200

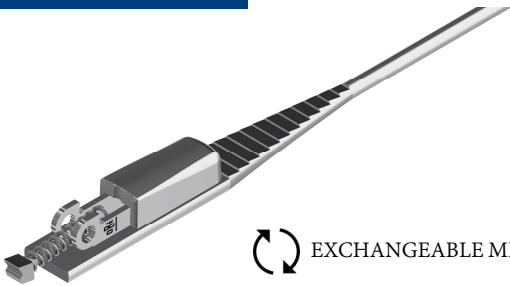
only laser welding



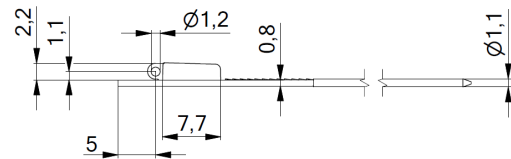
NOT EXCHANGEABLE

73-44031.50X

for insertion

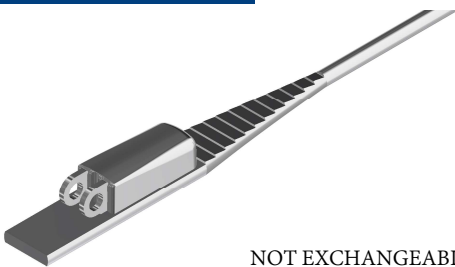


EXCHANGEABLE MECHANISM

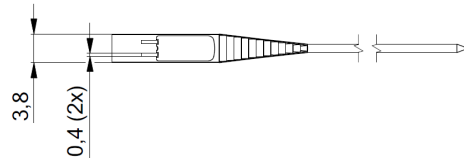


73-44031.30X

for insertion

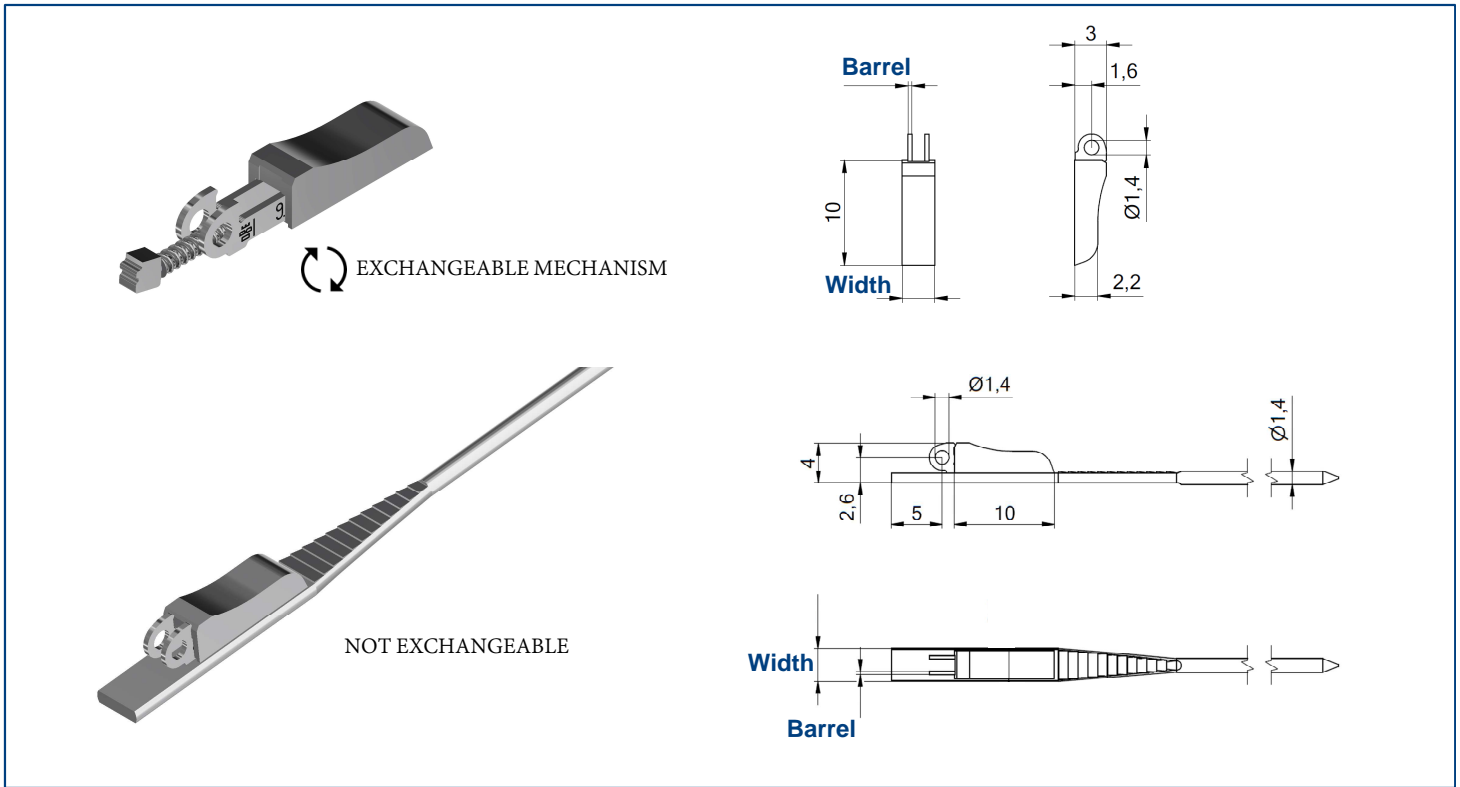


NOT EXCHANGEABLE



## Matching parts

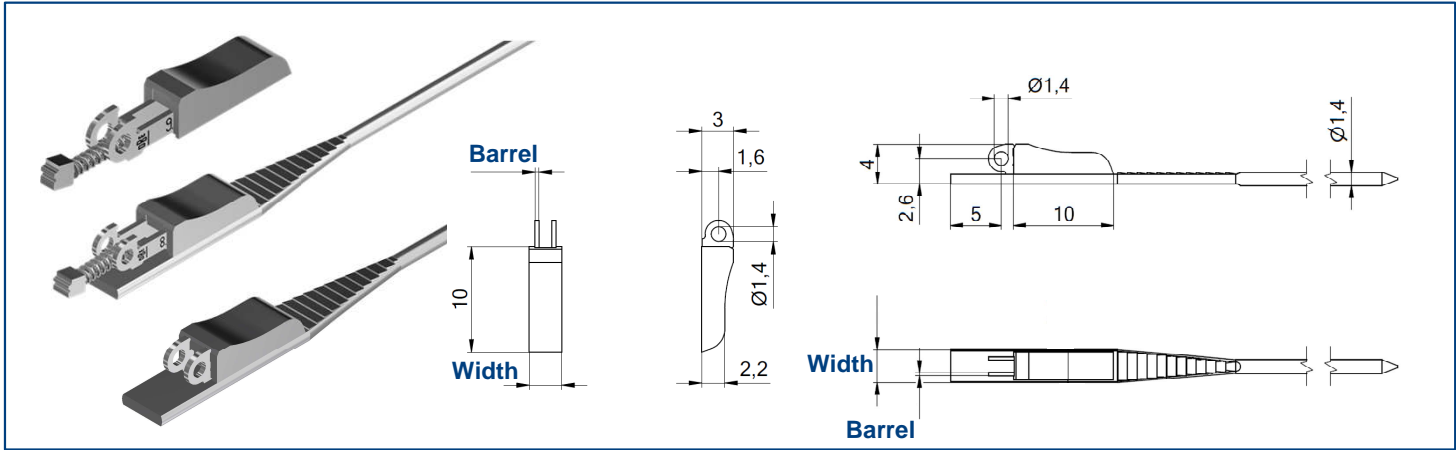
Front hinges for soldering	Front hinges for laser welding	Front hinges for plastic frames 90°	Front hinges for plastic frames 180°	Step hinges for soldering	Rivet hinges / Rivets	Screws
52-04131 nickel silver 52-44131 stainless steel	52-45031 stainless steel	33-04031 nickel silver 33-44031 stainless steel	33-04131 nickel silver	52-04231 nickel silver	51-04031 11-20247 11-20251 11-20245 11-20246	99-01764 99-02030 stainless steel



	Width	Barrel	Height	Art.no.	Processing	Note
Loose	2.7 mm	0.3 mm	3.0 mm	60-44062 17-44062 + 44-44062 + 60-04063	for soldering	exchangeable
	3.0 mm	0.4 mm	3.0 mm	60-44063 17-44063 + 44-44063 + 60-04063	for soldering	exchangeable
on wire	3.2 mm	0.3 mm	4.0 mm	73-44062	insertion	not exchangeable
	3.6 mm	0.4 mm	4.0 mm	73-44063	insertion	not exchangeable

Matching parts

Front hinges		for flexUno 2.7 mm	for flexUno 3.0 mm
Front hinges for soldering		52-45062	52-45063
Front hinges for plastic frames 90°		33-44162	33-44163
Screws		99-01730	99-01814
		99-02016	99-02524
		99-04724	99-04814



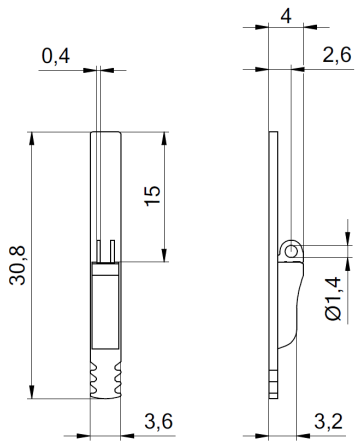
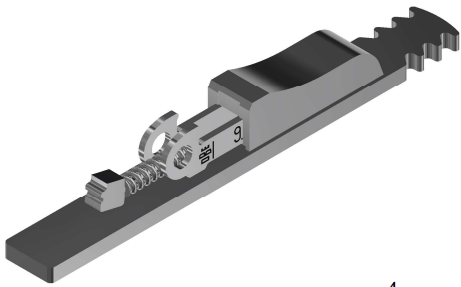
	Width	Barrel	Height	Art.no.	Processing	Note
loose	2.7 mm	0.3 mm	3.0 mm	60-04062.XXX 17-04062 + 44-44062 + 60-04063	for soldering	exchangeable
	3.0 mm	0.4 mm	3.0 mm	60-04063.XXX 17-04063 + 44-44063 + 60-04063	for soldering	exchangeable
	4.3 mm	0.5 mm	3.0 mm	60-04064.XXX 17-04064 + 44-44064 + 60-04064	for soldering	exchangeable
on wire	3.2 mm	0.3 mm	4.0 mm	73-04062.70X	insertion	exchangeable
				73-X4062.40X	insertion	not exchangeable
	3.6 mm	0.4 mm	4.0 mm	73-04063.70X	insertion	exchangeable
				73-X4063.40X	insertion	not exchangeable
	4.5 mm	0.5 mm	4.0 mm	73-04064.70X	insertion	exchangeable
				73-X4064.40X	insertion	not exchangeable

Matching parts

Front hinges		for flexUno 2.7 mm	for flexUno 3.0 mm	for flexUno 4.3 mm
Front hinges for soldering		52-05069 -	52-05067 52-04263	52-05064 52-04264
Front hinges for welding		52-04062	52-04063	52-04064
Front hinges for plastic frames 90° 0°/6° inclination		33-05062 33-04162 off center	33-05363 33-04163 off center 33-04067 33-02363	33-05164 33-04164 off center 33-02364
Front hinges for plastic frames 180°		33-04062	33-04063	33-04064
Step hinges for soldering		52-05462	52-05363 52-05463 52-05563	52-05164 52-05264
Screws		99-01730 99-02016 99-04724  99-02016.800 self aligning for break off	99-01814 99-02524 99-04814  99-02524.800 self aligning for break off	99-01816 99-02503 99-04816 99-02591 self aligning 99-02503.800 self aligning for break off

73-04063.900 - 3.0 mm

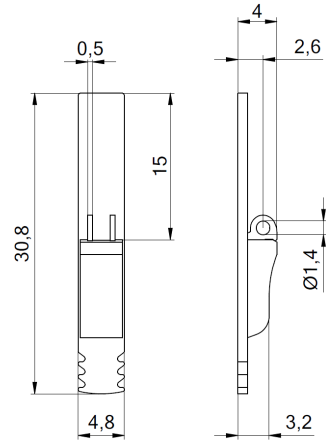
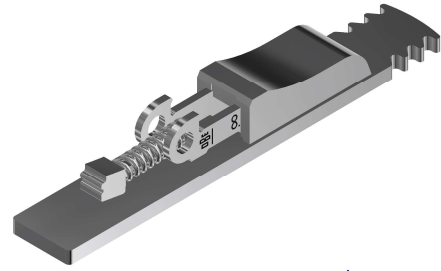
for injecting



EXCHANGEABLE MECHANISM

73-04064.900 - 4.3 mm

for injecting



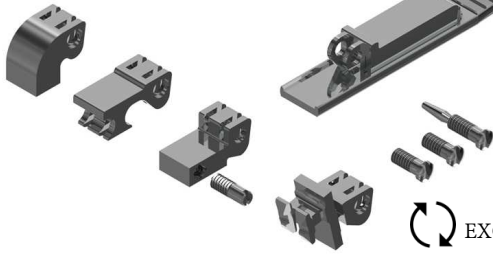
EXCHANGEABLE MECHANISM

Matching parts

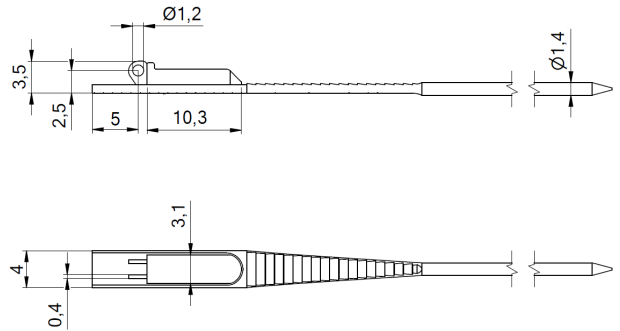
Front hinges		for flexUno 3.0 mm	for flexUno 4.3 mm
Front hinges for soldering		52-05067 52-04263	52-05064 52-04264
Front hinges for welding		52-04063	52-04064
Front hinges for plastic frames 90° 0°/6° inclination		33-05363 33-04163 off center 33-04067 33-02363	33-05164 33-04164 off center 33-02364
Front hinges for plastic frames 180°		33-04063	33-04064
Step hinges for soldering		52-05363 52-05463 52-05563	52-05164 52-05264
Screws		99-01814 99-02524 99-04814 99-02524.800 self aligning for break off	99-01816 99-02503 99-04816 99-02591 self aligning 99-02503.800 self aligning for break off

73-07050

for insertion



EXCHANGEABLE MECHANISM



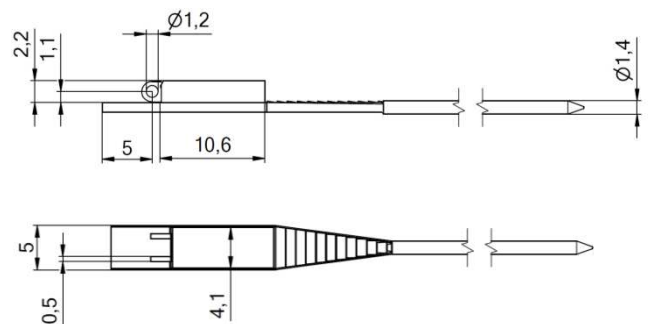
## Matching parts

Front hinges	Art. No.	Hinge fixation	Fixation to front
Front hinges for plastic frames 90°	33-04027	99-02030	inserting
Front hinges for plastic frames 180°	33-04028	99-02032 self aligning	inserting
Step hinges	52-07050	99-02027.800 self aligning for break off	soldering
Three barrel block hinges	32-04077	99-02028	screwing with 99-01752

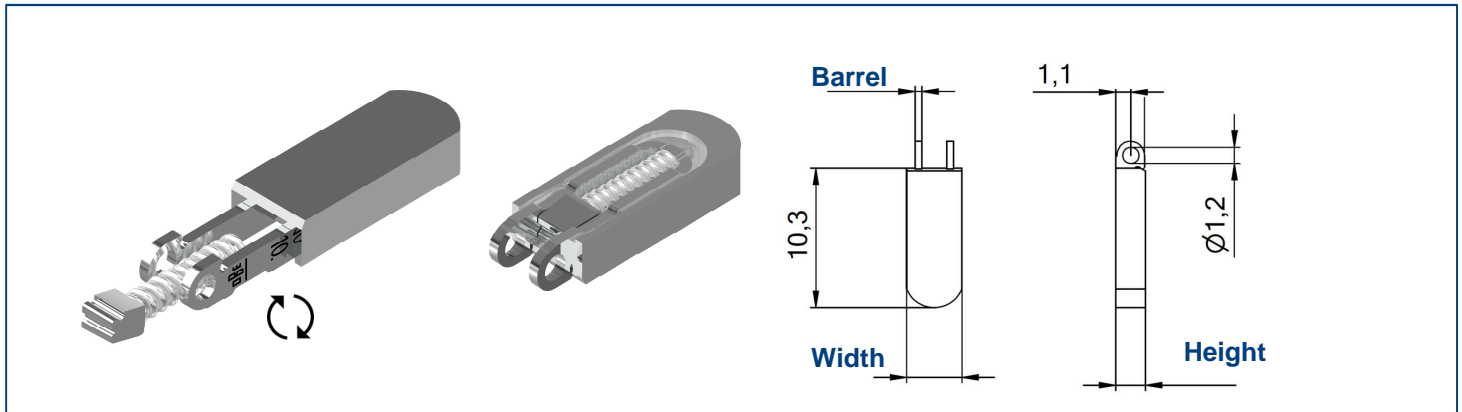
# Chip

73-04066.50X

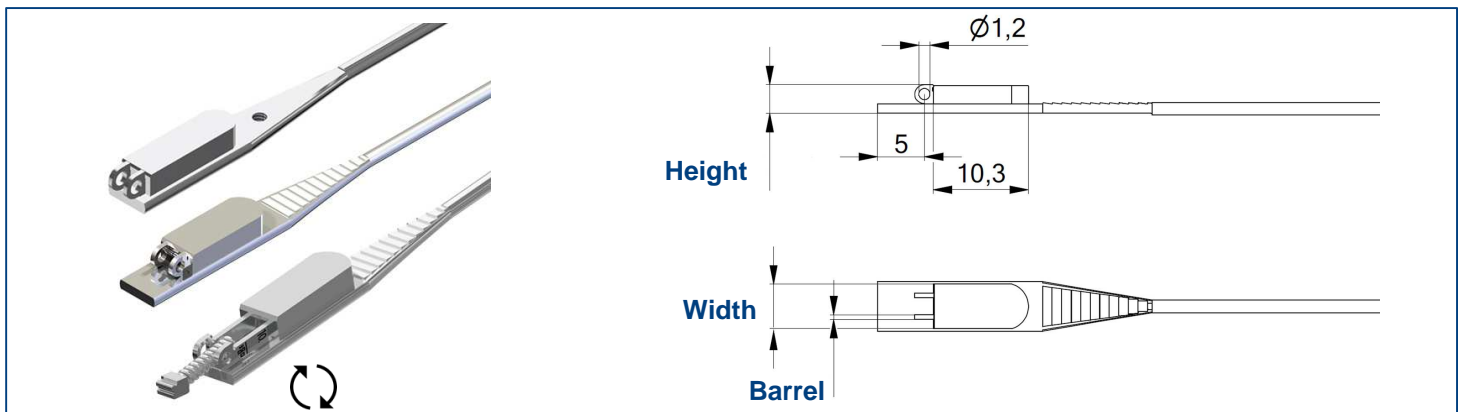
for insertion



Front hinges	Art. No.	Hinge screw	Fixation to front
Front hinges for plastic frames 90° 0°/ 6° inclination	33-04066 33-04266 off center	Screw 99-02036	inserting
Front hinges for plastic frames 180°	33-04166	99-01732	inserting
Step hinges	52-04166	99-02036.800 self aligning for break off	soldering
Rivet hinges	51-05066	11-20247 11-20251 11-20245 11-20246	riveting with 11-20247





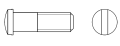

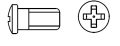
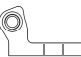


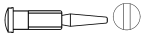
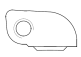

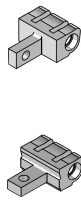

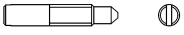
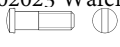

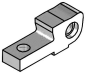
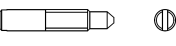



Width	Barrel	Height	Art.no.	Processing	Note
3.0 mm	0.4 mm	2.1 mm	60-04053 17-04053+44-44053+60-04053.050	for soldering	exchangeable
4.0 mm	0.5 mm	2.2 mm	60-04066 17-04066+44-44061+60-04061.050	for soldering	exchangeable
4.8 mm	0.5 mm	2.0 mm	60-04061	for welding	not exchangeable

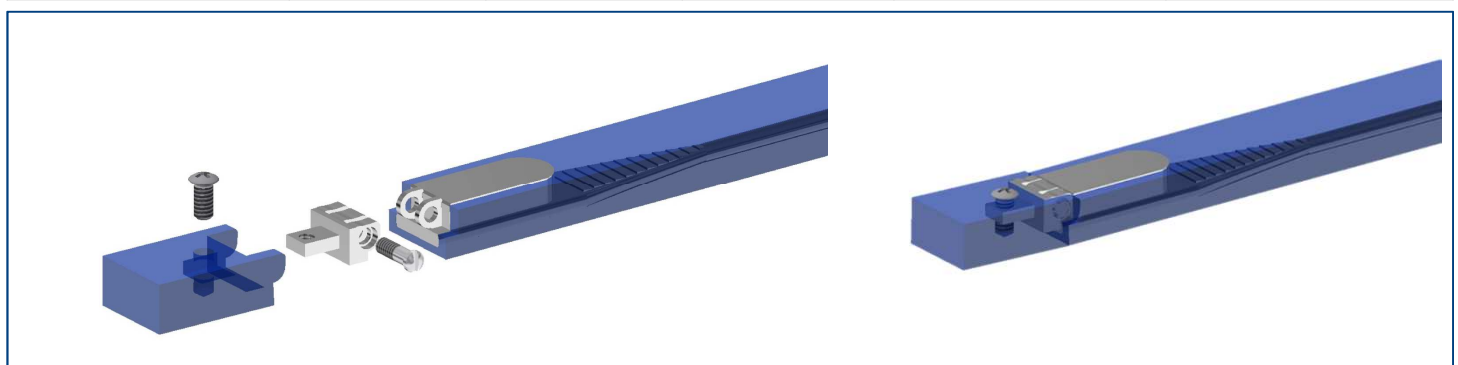


Width	Barrel	Height	Art.no.	Processing	Note
3.6 mm	0.4 mm	3.2 mm	73-04053.51X	insertion	exchangeable
		3.0 mm	73-04053.30X	insertion	not exchangeable
4.0 mm	0.4 mm	3.0 mm	73-04053.40X	insertion	not exchangeable for temple tip
4.5 mm	0.5 mm	3.2 mm	73-04066.70X	insertion	exchangeable
		3.0 mm	73-04066.30X	insertion	not exchangeable
5.3 mm	0.5 mm	3.0 mm	73-04061.40X	insertion	not exchangeable



### Matching parts

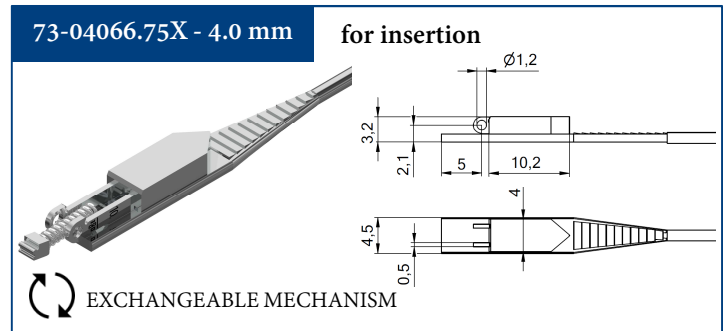
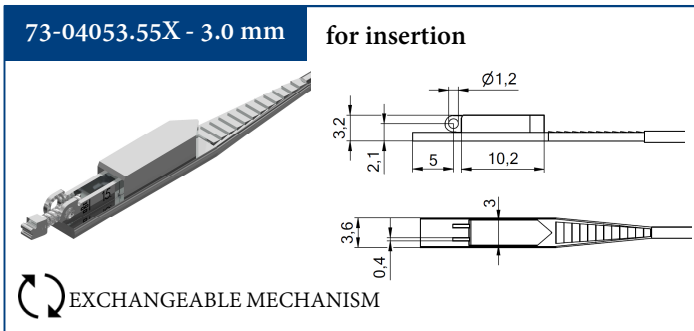
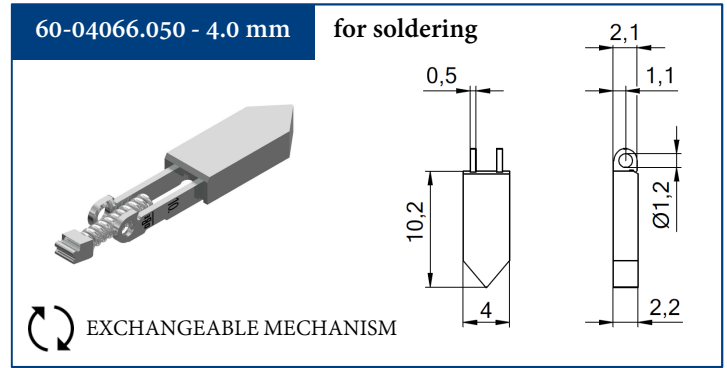
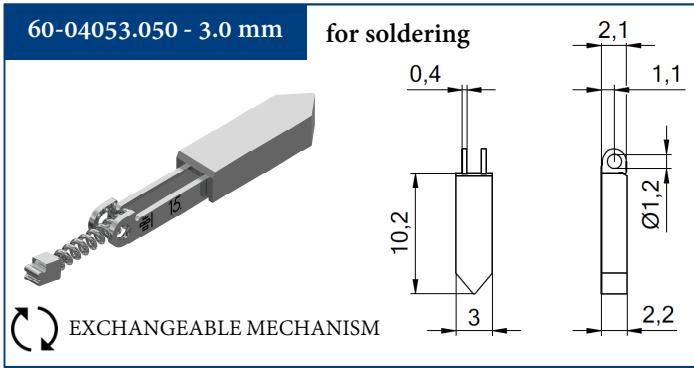
Front hinges	for Wafer 3.0	for Wafer 4.0	for Wafer 4.8	Hinge fixation	Fixation to front
Front hinges for plastic frames 90° 0°/6° inclination 	33-04153 33-04025 off center 33-04353 off center	33-04066 33-04266 off center	33-04061 33-04071 round foot 33-04261 off center	Screw	inserting
Front hinges for plastic frames 180° 	33-04253	33-04166	33-04161	99-02027 Wafer 3.0 99-02036 Wafer 4.0 99-02017 Wafer 4.8 	inserting
Step hinges 	52-04153 52-04154	52-04166	52-04161	99-01732 Wafer 4.0 	soldering
Rivet hinges 	-	51-05066	51-05061	99-02027.800 Wafer 3.0 99-02036.800 Wafer 4.0 99-02017.800 Wafer 4.8	riveting with 11-20247  11-20251 11-20245 11-20246
Front hinges for soldering 	52-04053	52-04276	52-04261	self aligning for break off  99-02032 Wafer 3.0	soldering
Front hinges for welding 	52-04253	-	52-04061	self aligning 	welding
Three barrel bloc 	32-04062	-	32-04054	Pin 11-20012 Wafer 3.0 	screwing with 99-00065 Wafer 3.0 99-00064 Wafer 4.8 
	32-04061	-	32-04053	Screw 99-02023 Wafer 4.8 	screwing with 99-01753 
<b>Only Wafer for welding</b>					
One barrel block hinges 	32-04055	32-04060	32-04060	Screw 99-00065 Wafer 3.0 	screwing with 99-00065 Wafer 3.0 99-00064 Wafer 4.0 & 4.8 
	32-04056	32-04059	32-04059	Pin 11-20010 Wafer 4.0 & 4.8 	screwing with 99-01753 



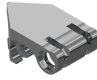





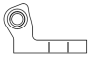
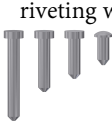

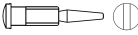

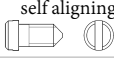
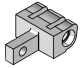


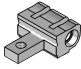

# Spike

METAL / ACETATE / COMBINATION  
3.0 mm / 4.0 mm

NICKEL SILVER

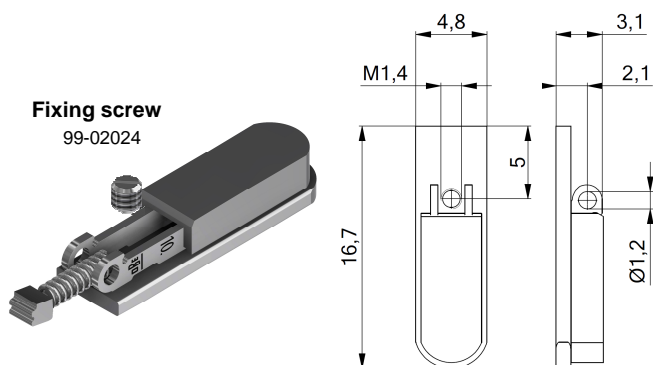


## Matching parts

Front hinges	for Spike 3.0	for Spike 4.0	Hinge screws	Fixation to front
Spike front hinge 	33-04253.050	33-04166.050	Screw 99-02027 Spike 3.0 99-02036 Spike 4.0	inserting
Front hinges for plastic frames 90° 	33-04153 33-04025 off center 33-04353 off center	33-04066 33-04266 off center		inserting
Front hinges for plastic frames 180° 0°/ 6° inclination 	33-04253	33-04166	99-01732 Spike 4.0 	inserting
Step hinges 	52-04153 52-04154	52-04166		soldering
Rivet hinges 	-	51-05066	99-02027.800 Spike 3.0 99-02036.800 Spike 4.0 self aligning for break off	riveting with 11-20247 11-20251 11-20245 11-20246 
Front hinges for soldering 	52-04053	52-04276	 99-02032 Spike 3.0	soldering
Front hinges for welding 	52-04253	-	self aligning 	welding
Three barrel block hinges	 32-04062	-	Pin 11-20012 	screwing with 99-00065 
	 32-04061	-		screwing with 99-01753 

73-04066.900 – 4.0 mm

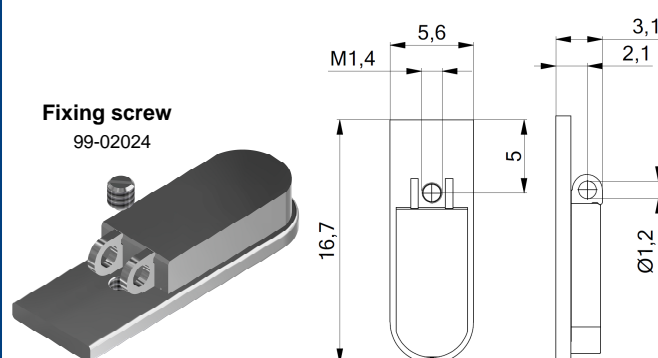
fixing with screw



EXCHANGEABLE MECHANISM

73-04061.900 – 4.8 mm

fixing with screw



NOT EXCHANGEABLE

## Matching parts

Front hinges	for Waferella 4.0	for Waferella 4.8	Hinge screw	Fixation to front
Front hinges for plastic frames 90° 0°/ 6° inclination	33-04066 33-04266 off center	33-04061 33-04071 round foot 33-04261 off center	Screw 99-02036 Waferella 4.0 99-02017 Waferella 4.8	inserting
Front hinges for plastic frames 180°	33-04166	33-04161		inserting
Step hinges	52-04166	52-04161	99-01732 Waferella 4.0 	soldering
Rivet hinges	51-05066	51-05061	99-02036.800 Waferella4.0 99-02017.800 Waferella4.8 self aligning for break off 	riveting with 11-20247 11-20251 11-20245 11-20246
Three barrel block hinges	-	32-04053	Screw 99-02023 	screwing with 99-01753 

60-44064

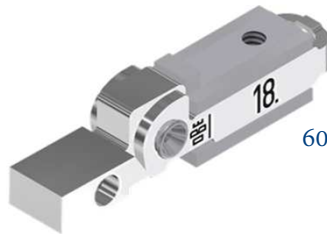
fixing with screw



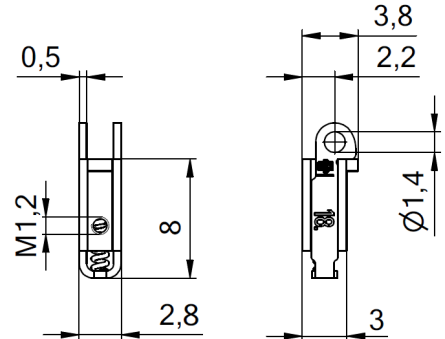
60-44064.866



60-44064.290



60-44064.300



### Matching parts for 60-44064.866.10

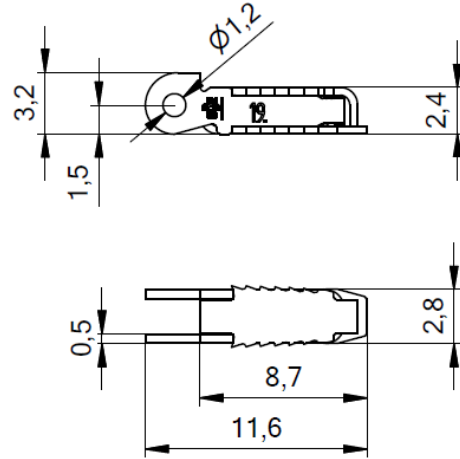
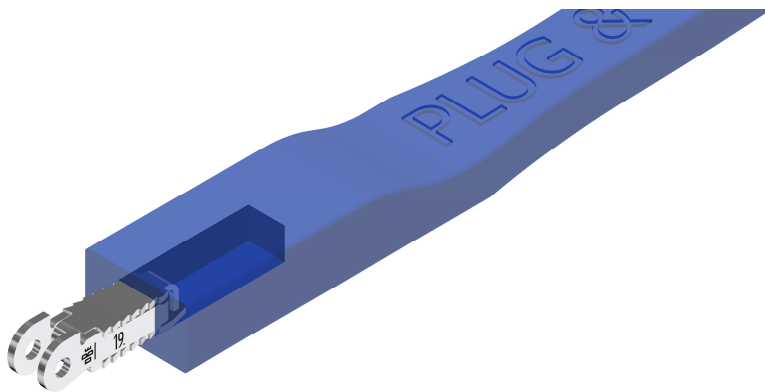
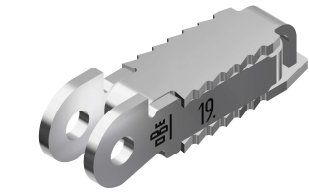
Front hinges for plastic frames 90°	Step hinges for soldering	Hinge screws	<b>Direct joining</b>	Fixation of Inflex with temple
33-04164	52-05265	99-01816 99-02503 99-04816 99-02591 self aligning	99-02907	99-01436 (ø 2.5 with stop) 99-01750 (ø 2.2) 99-02037 (ø 2.2)

### Matching parts – Hidden solution

Three barrel block hinges	I	Fixation screws to front	I	Hinge screws
32-04078	I	99-01752 - 3.7mm 99-02023 - 4.4mm 99-02009 - 4.5 mm 99-02028 - 5.6 mm	I	99-01816 99-02503 99-02591 self aligning

60-49460.200.10


for injecting




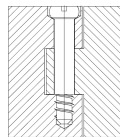
NOT EXCHANGEABLE

## Matching parts

### Direct joining screws for plastic frames

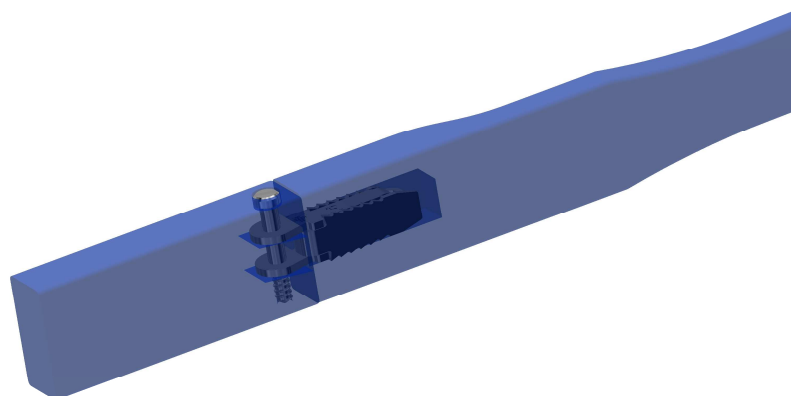
99-02910 - 6.0 mm 

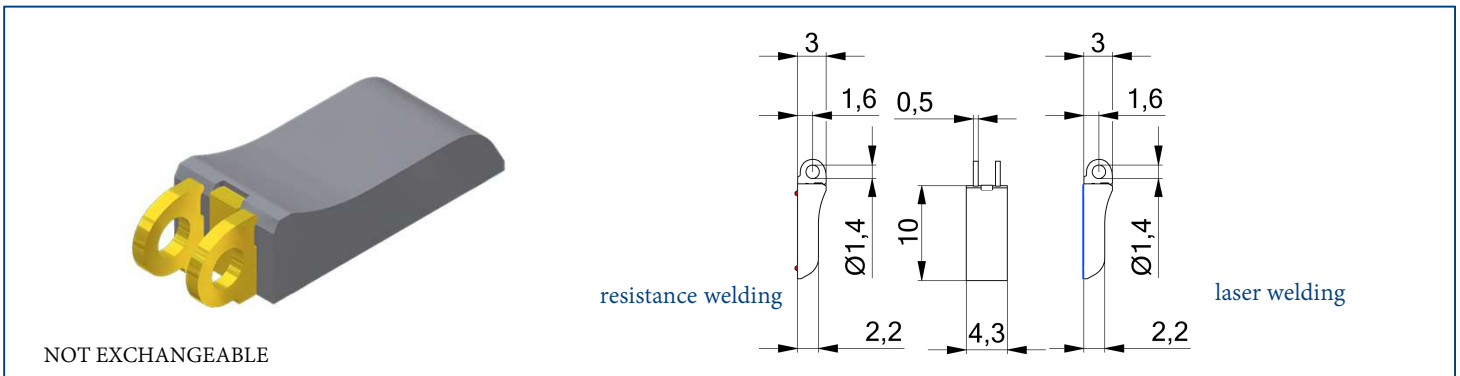
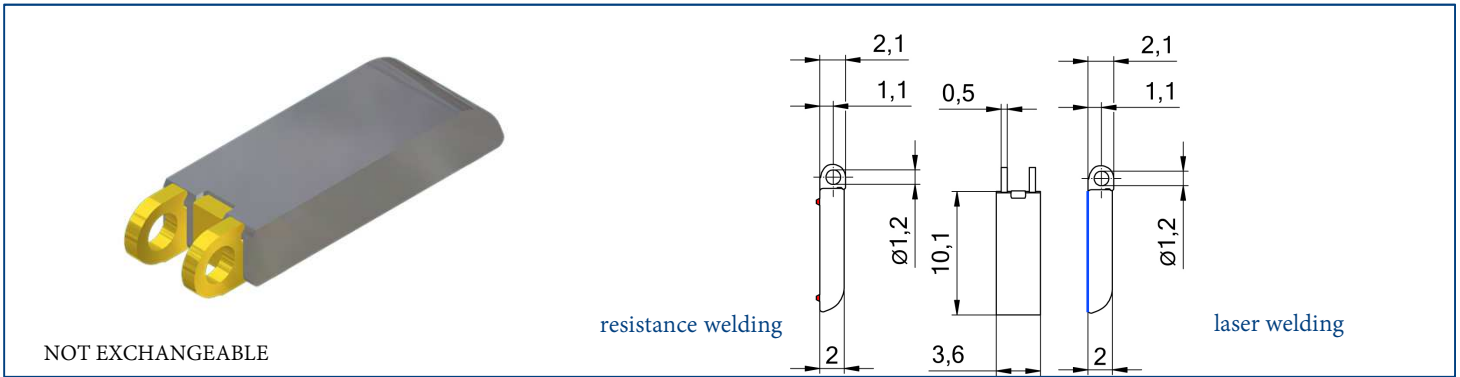
99-02911 - 8.0 mm 



### Direct joining pin for plastic frames

11-20025.040.00





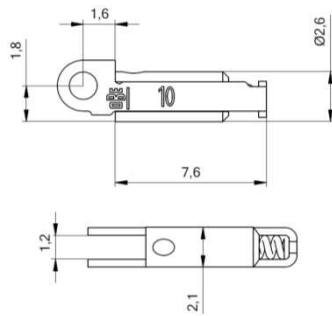
Width	Barrel	Height	Art.no.	Processing
3.6 mm	0.5 mm	2.1 mm	60-24061	for resistance welding
			60-24161	for laser welding
4.3 mm	0.5 mm	3.0 mm	60-24064	for resistance welding
			60-24164	for laser welding

Matching parts

Front hinges	for fleUno titanium 3.6 mm	for flexUno titanium 4.3 mm
Front hinges for soldering and laser welding	52-24161	52-24065
Front hinges for welding	52-24061	52-24064
Step hinges for soldering	---	52-25264
Screws	99-02023	99-01816 99-02503 99-04816 99-02503.800 self aligning for break off

## 60-44063.200 standard spring - 205 strong spring

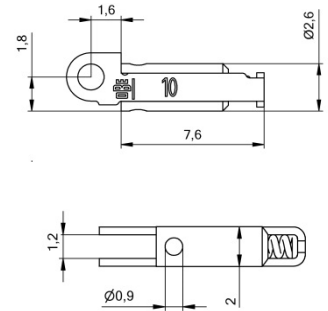
for nickel silver temples



for peening

## 60-44063.250 standard spring - 255 strong spring

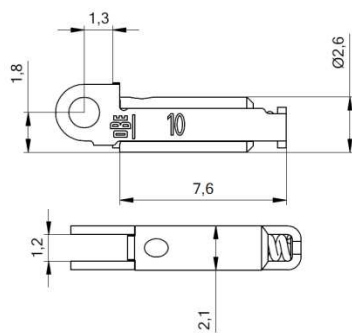
for plastic or exotic temples



fixing with screw

## 60-44063.820 standard spring - 825 strong spring

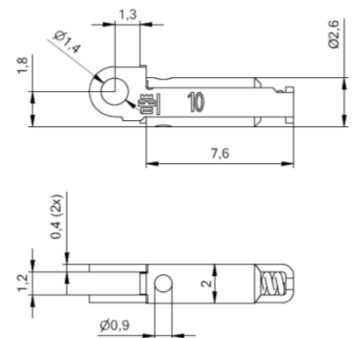
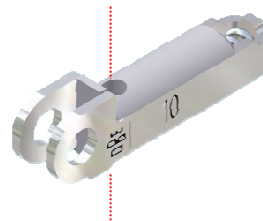
for titanium temples



for peening

## 60-44063.855 strong spring

for aluminium temples



fixing with screw



OBE GmbH & Co. KG · Turnstr. 22 · 75228 Ispringen · Germany  
Tel. +49 7231 802-0 · [www.obe.de](http://www.obe.de) · [info@obe.de](mailto:info@obe.de)