

flexUno

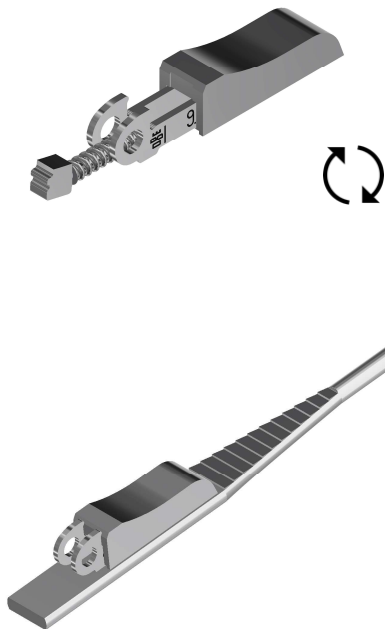
STAINLESS STEEL











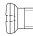





100% stainless steel
Zero rocking in premium material



STAINLESS STEEL SPRING HINGES

- 100% stainless steel
- Attractive surface no nickel treatment
- Corrosion resistant - high tensile strength
- Zero rocking thanks to double barrel flexUno technology
- Optionally pre-assembled mechanism or exchangeable mechanism
- For laser welding or soldering
- For metal & acetate frames



	2.7 mm	3.0 mm
Stainless steel matching parts	60-44062 / 73-44062	60-44063 / 73-44063
Front hinges for soldering	 52-45062	 52-45063
Front hinges for plastic frames 90°	 33-44162	 33-44163
Screws	  99-01730   99-02016   99-04724	  99-01814   99-02524   99-04814