

# TITANIUM

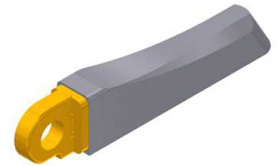
WORLD



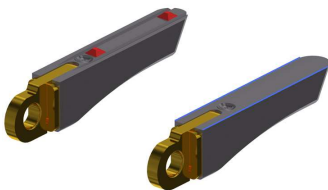
For slim titanium frames OBE offers flexIno pure titanium spring hinges based on a one barrel side hinge. The stainless steel mechanism is gold-plated in order to protect it during the production of titanium frames. We offer two connection systems for the case: laser welding or resistance welding.

Features:

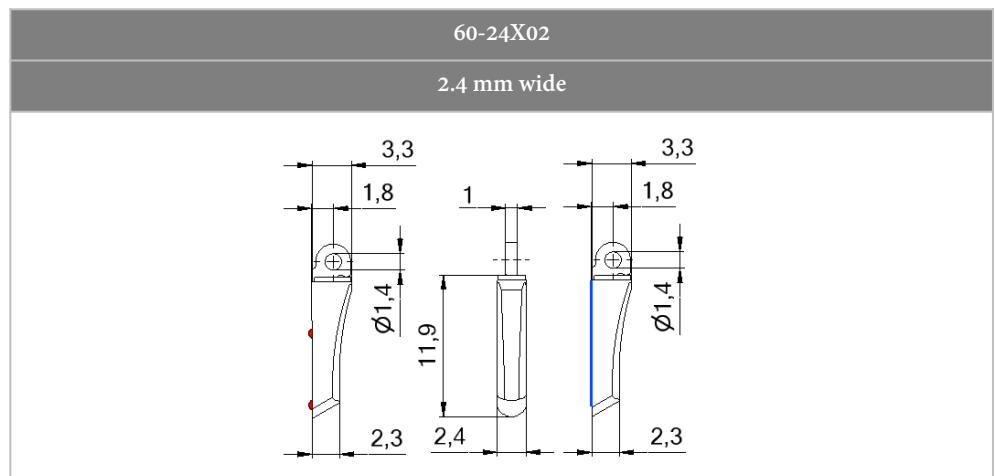
- Robust & stable construction
- Proven flex technology
- Stainless steel mechanism – gold plated
- Integrated double action
- Safety with conical screw system
- Sustainable: 25% of recycled titanium chips are used in the production of new cases



Resistance welding



Laser welding

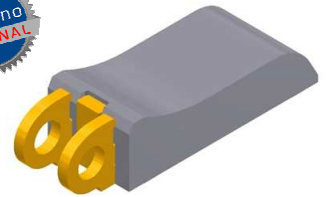


Art. No.	60-24002 Resistance welding	60-24102 Laser welding
Delivery status	pre-assembled	
Screw system	conical head M1.4, minus / plus-minus / torx	
Matching parts		
Front hinges for soldering and laser welding	52-25071 52-25067 single Action	
Front hinges for welding	52-25076 52-25064 single Action	
Front hinges for plastic frames 90° 0°/ 6° inclination	33-05100 nickel silver	
Screws	99-01811 99-02525 99-04811	

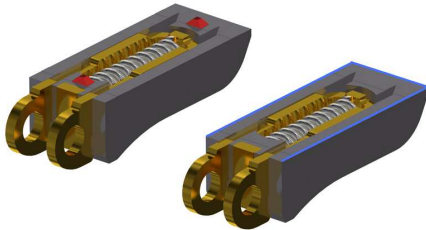
For wider frames OBE offers the flexUno 4.3 spring hinge with a two barrel side hinge. The stainless steel mechanism is gold-plated in order to protect it during the production of titanium frames. We offer two connection systems for the case: laser welding or resistance welding.

Features:

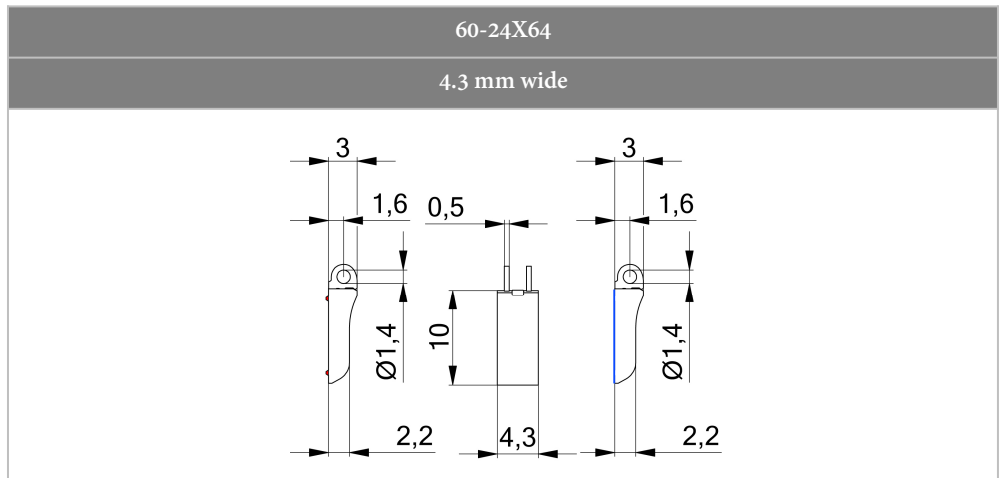
- Elegant short construction
- U-shaped stainless steel mechanism against rocking
- Stainless steel mechanism – gold plated
- Safety with conical screw system
- Sustainable: 25% of recycled titanium chips are used in the production of new cases





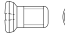
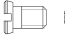
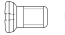



Resistance welding



Laser welding



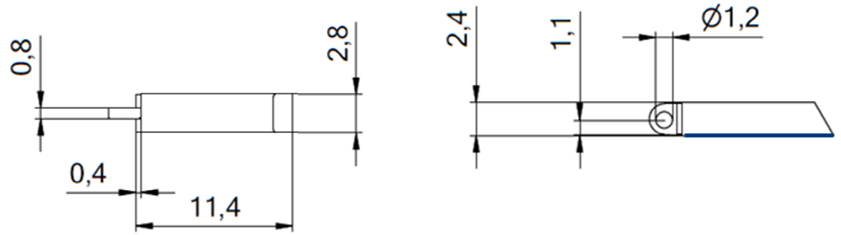
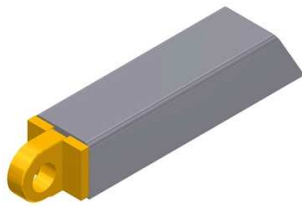
	60-24X64	
	4.3 mm wide	
Art No	60-24064 Resistance welding	60-24164 Laser welding
Delivery status	pre-assembled	
Screw system	conical head M1.4, minus / plus-minus or torx	
Matching parts		
Front hinges for soldering and laser welding		52-24065
Front hinges for welding		52-24064
Front hinges for plastic frames 90° 0°/ 6° inclination		33-05164 nickel silver
Step hinges for soldering		52-25264
Screws		99-01816
		99-02503
		99-04816
		99-02503.800 self aligning for break off

Wafer titanium spring hinges are characterised by a low profile. Therefore the case can be integrated in a very elegant way on the corresponding temple. We offer two versions: a one barrel version in 2.8 mm width and a two barrel version in 3.6 mm based on flexUno technology.

**Features:**

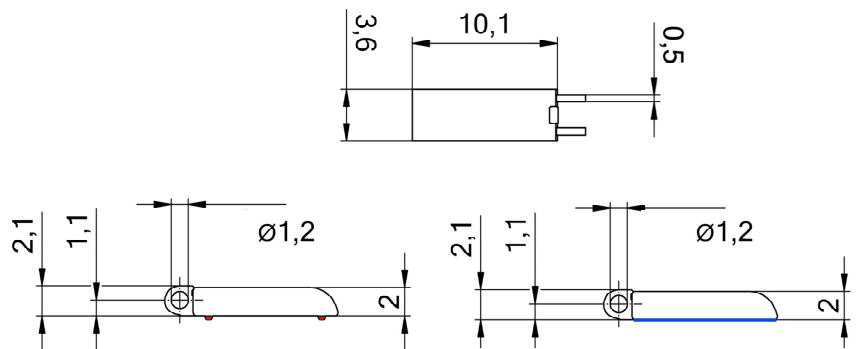
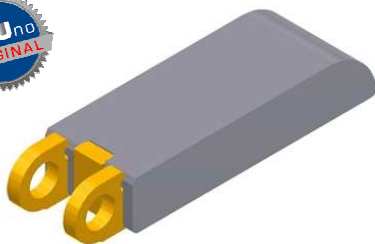
- 1-barrel version available also with screwed front hinge
- 2-barrel version based on flexUno technology either for resistance or laser welding
- Sustainable: 25% of recycled titanium chips are used in the production of new cases

**Spring hinge Wafer 60-24006 only for laser welding** 2.8 mm



Matching parts Wafer 1 barrel: 60-24006	
Front hinges for soldering and laser welding	Screws
52-24006 (available also assembled with case)	99-01756      99-02031

**Spring hinge Wafer 2-barrel - 60-24X61** 3.6 mm



60-24061 resistance welding

60-24161 laser welding

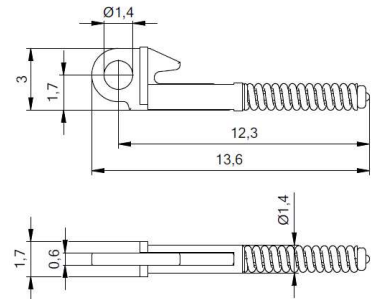
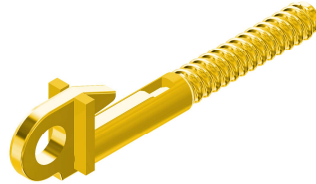
**Matching parts Wafer 2 barrel 60-24X61**

Front hinges for soldering / laser welding	Front hinges for welding	Front hinges for plastic	Screws
52-24161	52-24061	33-04066 nickel silver 0°/6° inclination	99-02023

All flex mechanisms for monobloc temples are especially designed for titanium frames. Thanks to the integrated washer the temple movement is totally smooth. With the stamped OBE logo on the top of the side hinge you can easily recognise the original component.

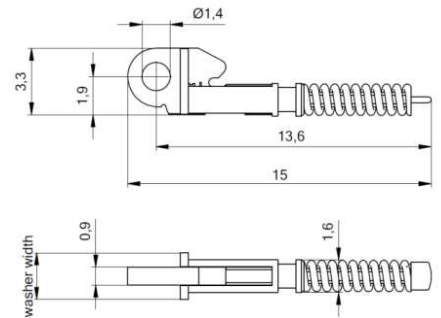
**flexino** INTEGRATED 60-44015.8XX – SIZE S

- 1 barrel mechanism for **slim temples**
- Recommended temple width **1.9 - 2.6 mm**
- Stamped in stainless steel – gold plated
- Assembly by peening or screwing



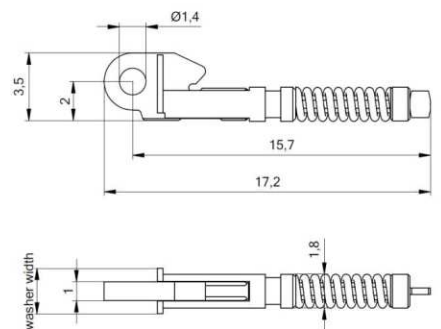
**flexino** INTEGRATED 60-44022.8XX - SIZE M

- 1 barrel mechanism for **medium temples**
- Recommended temple width **2.1 – 3.5 mm**
- Stamped in stainless steel – gold plated
- Assembly by peening or screwing



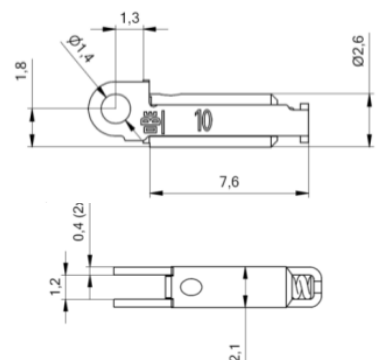
**flexino** INTEGRATED 60-14084.8XX - SIZE ML

- 1 barrel mechanism for **medium large temples**
- Recommended temple width **2.6 – 4.0 mm**
- Stamped in bronze – gold plated
- Assembly by peening or screwing



**flexUno** INTEGRATED 60-44063.82X - SIZE XL

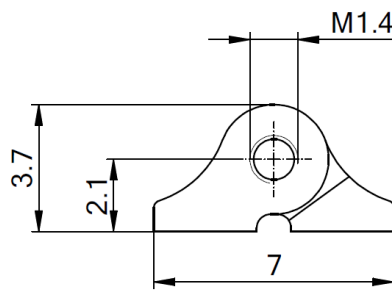
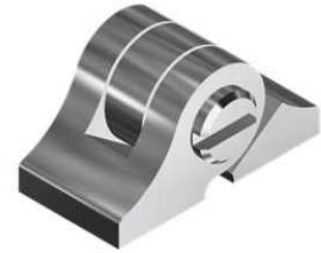
- 2 barrel mechanism for **large temples or end pieces**
- Recommended temple width **3.2 – 8.0 mm**
- Anti-rocking flexUno technology
- Stamped in stainless steel – gold plated
- Assembly with temple by peening or screwing



All titanium regular hinges are available assembled or disassembled. Assembled hinges are equipped with an integrated washer for a smooth movement. Optionally it is possible to combine the hinges with Space Screws in order to achieve an extra safety feature against loosening.

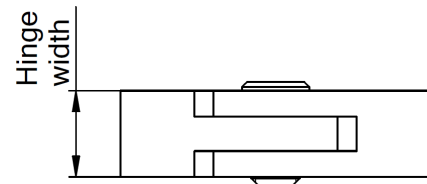
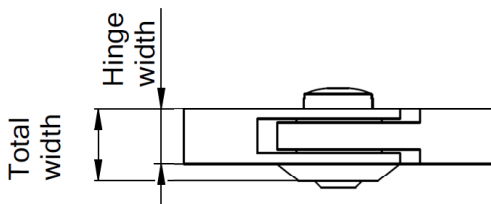
**Features:**

- Regular titanium hinges for welding or soldering
- Integrated washer against friction
- Standard delivery condition: assembled with standard screw
- Optionally available with Space Screw



Hinges with the width 2.1 and 2.4 mm

Hinges with the width 2.8 and 3.5 mm



Hinge width	Total width	Art.No. of assembled version	Art.No. of loose version with standard screw	Space Screws
2.1 mm	2.6 mm	51-20833.200.0X	51-202833.900.01/02 51-20833.900.03 94-20153.000.00 99-44131.000.00	99-02324.600 99-05324.600
2.4 mm	2.9 mm	51-20834.200.0X	51-20834.900.01/02 51-20834.900.03 94-20153.000.00 99-44107.000.00	99-02393.600
2.8 mm	2.8 mm	51-20835.200.0X	51-20835.900.01/02 51-20835.900.03 94-20153.000.00 99-44111.000.00	99-02322.600 99-05322.600
3.5 mm	3.5 mm	51-20836.200.0X	51-20836.900.01/02 51-20836.900.03 94-20153.000.00 99-44107.000.00	99-02325.600 99-05325.600

Space Screws from OBE are overmoulded with a high temperature resistant polyamide. This plastic provides an optimum long lasting functionality in regular frames with 3 / 5 and even 7 barrels. Thanks to the compression of the plastic during the assembling process the play between screw and hole is reduced. The six embossed bumpers on the circumference of the polyamide provide an extra tolerance compensation along the length of the shaft.

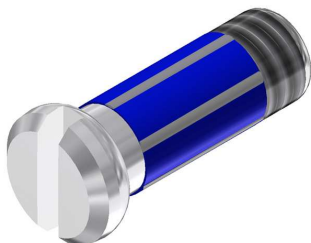
The use of Space Screws in titanium hinges is also possible. Here they provide mainly an extra anti-loosening effect. The plastic sprues of the Space Screws is continuously recycled by reaching a 90% share.

Plus collection:



Plus-minus screw					
OBE No.	⊕	Thread	Total length	Shaft length	Head Ø
99-02305.600.00		M1.4	2.8	2.2	1.8
99-02310.600.00		M1.4	3.0	2.4	2.0
99-02322.600.00		M1.4	3.2	2.6	2.0
99-02324.600.00		M1.4	3.4	2.7	2.0
99-02328.600.00		M1.4	3.5	2.8	2.5
99-02393.600.00		M1.4	3.6	3.0	2.0
99-02325.600.00		M1.4	4.0	3.3	2.0
99-02301.600.00		M1.4	4.3	3.6	2.0
99-02327.600.00		M1.4	4.5	3.8	2.0
99-02379.600.00		M1.4	4.6	3.9	2.0
99-02333.600.00		M1.4	5.0	4.3	2.0
99-02334.600.00		M1.4	5.5	4.8	2.0
99-02374.600.00		M1.4	5.8	5.1	2.0
99-02356.600.00		M1.4	6.1	5.4	2.0
99-02332.600.00		M1.4	6.4	5.7	2.0
99-02376.600.00		M1.4	6.9	6.2	2.0
99-02380.600.00		M1.4	8.5	7.8	2.0

Minus collection:



Minus screw					
OBE No.	⊖	Thread	Total length	Shaft length	Head Ø
99-05305.600.00		M1.4	2.8	2.2	1.8
99-05310.600.00		M1.4	3.0	2.4	2.0
99-05322.600.00		M1.4	3.2	2.6	2.0
99-05311.600.00		M1.4	3.3	2.7	1.8
99-05324.600.00		M1.4	3.4	2.7	2.0
99-05328.600.00		M1.4	3.5	2.8	2.5
99-05325.600.00		M1.4	4.0	3.3	2.0
99-05301.600.00		M1.4	4.3	3.6	2.0
99-05327.600.00		M1.4	4.5	3.8	2.0
99-05379.600.00		M1.4	4.6	3.9	2.0
99-05333.600.00		M1.4	5.0	4.3	2.0
99-05334.600.00		M1.4	5.5	4.8	2.0
99-05331.600.00		M1.4	5.7	4.9	2.5
99-05332.600.00		M1.4	6.4	5.7	2.0
99-05380.600.00		M1.4	8.5	7.8	2.0
99-05308.600.00		M1.4	9.2	8.5	2.0



OBE GmbH & Co. KG · Turnstr. 22 · 75228 Ispringen · Germany  
Tel. +49 7231 802-0 · [www.obe.de](http://www.obe.de) · [info@obe.de](mailto:info@obe.de)