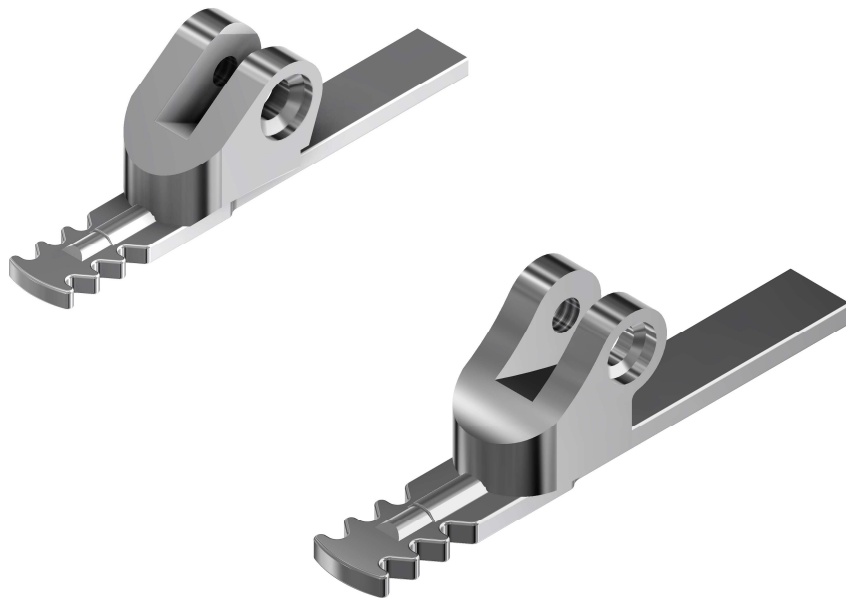


Animelle

HINGES FOR INJECTION FRAMES



Regular hinges

Animelle

HINGES FOR INJECTION FRAMES

- Regular hinge on short hinge on wire – nickel plated
- Best application in injected frames
- Smooth movement with ISH technology

70-02050	injection	70-02057	injection

Matching parts 70-02050			Matching parts 70-02057	
Safety hinges for plastic frames 90°	Safety hinges for plastic frames 180°	Screws	Safety hinges for plastic frames 180°	Screws
32-02483	33-04540 33-04537	99-01455	33-04541 with stop	99-01377

