



ISH

INJECTION SAFETY HINGES



Regular hinges

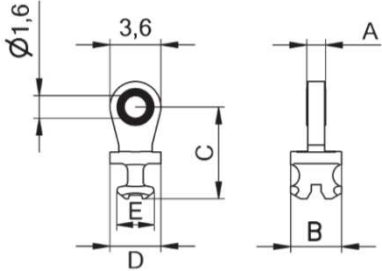
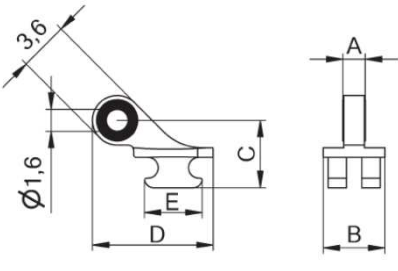
Plastic sleeve creates smooth and controlled temple articulation in the long term

Front hinge made from nickel silver



Less temple rocking thanks to perfect fit in female hinge with plastic overlap

Plastic injection moulded sleeve made from polyamid

90°	insertion	180°	insertion
			

Front hinges 90° - 0°/6° inclination						Front hinges 180° - 0°/6° inclination					
Art. No.	A	B	C	D	E	Art. No.	A	B	C	D	E
33-04215	1.3	2.8	6.5	4.0	3.0	33-04538	1.3	3.5	4.9	8.8	4.2
33-04211	1.3	4.5	6.5	4.0	3.0	33-04541 with stop	1.6	4.0	5.3	9.1	3.8
33-04271	1.5	4.5	6.5	4.0	3.0	33-04537	1.6	4.5	4.9	8.8	4.2
32-02483	1.6	7.0	6.7	4.0	3.0	33-04540	1.7	4.0	5.1	9.5	3.8