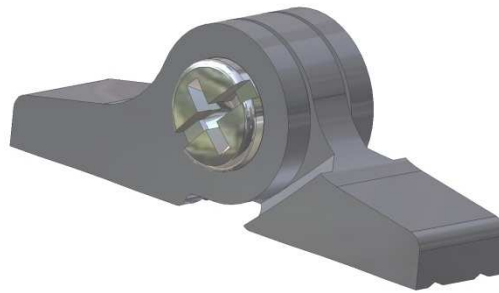


# Titanium

REGULAR HINGES

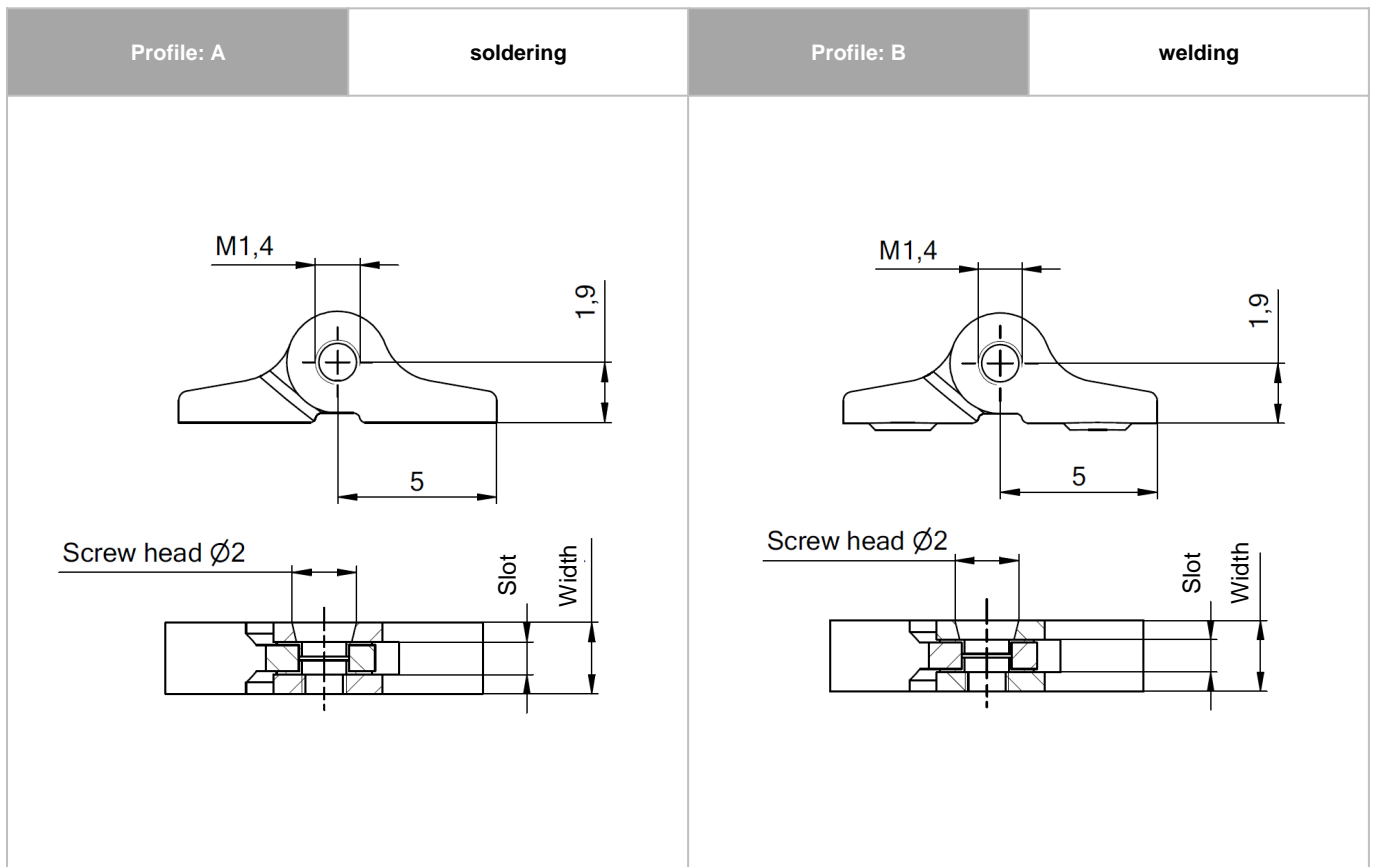


Regular hinges

# Titanium

## REGULAR HINGES

- 2.3 mm or 3.0 mm wide
- Made from titanium grade 2
- For soldering or welding
- With integrated washer system
- Conical head screw system M1.4
- Available with minus or plus-minus screw
- Only in assembled version available



Matching parts				
Art.No.	51-27412.100 ⊖ 51-27412.200 ⊕	50-27422.100 ⊖	51-27414.100 ⊖ 51-27414.200 ⊕	50-27424.100 ⊖ 50-27424.200 ⊕
Profile	A	B	A	B
Width	<b>2.3</b>	<b>2.3</b>	<b>3.0</b>	<b>3.0</b>
Slot	1.0	1.0	1.2	1.2
Screw head Ø	2.0	2.0	2.0	2.0

**Integrated Washer System for avoiding friction**



OBE GmbH & Co. KG · Turnstr. 22 · 75228 Ispringen · Germany  
Tel. +49 7231 802-0 · www.obe.de · info@obe.de