

Mechanisms

INTEGRATED SOLUTIONS

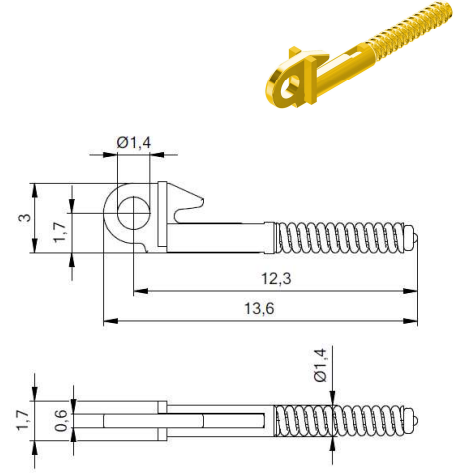
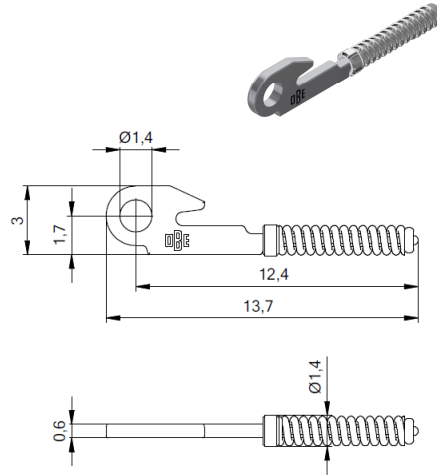


MECHANISMS & TEMPLATES

OBE mechanisms for metal temples

flexi no INTEGRATED	60-44015.100	60-44015.8XX
	Size S	

- 1 barrel mechanism for **slim temples**
- Recommended temple width **1.9 - 2.6 mm**
- Stamped in stainless steel
- **0.6 mm** barrel thickness
- 13.7 mm total length
- With OBE Logo
- Assembly by peening

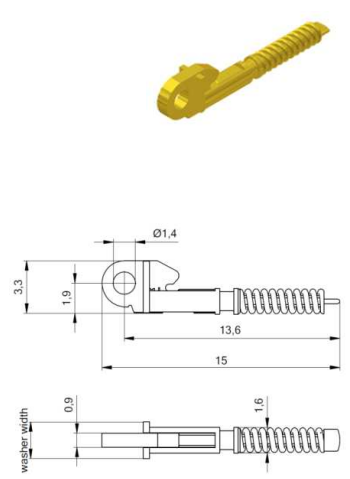
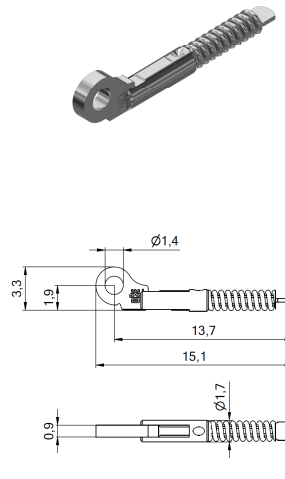
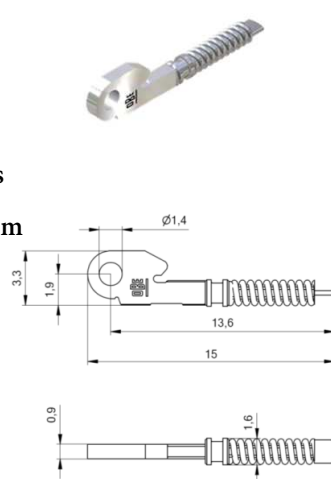


Titanium frames

- No friction with washer integrated
- Protection with gold plating

flexi no INTEGRATED	60-44022.200	60-44022.500	60-44022.8XX
	Size M		

- 1 barrel mechanism for **medium temples**
- Recommended temple width **2.1 - 3.5 mm**
- Stamped in stainless steel
- **0.9 mm** barrel thickness
- 15 mm total length
- With OBE Logo
- Assembly by peening



Titanium frames

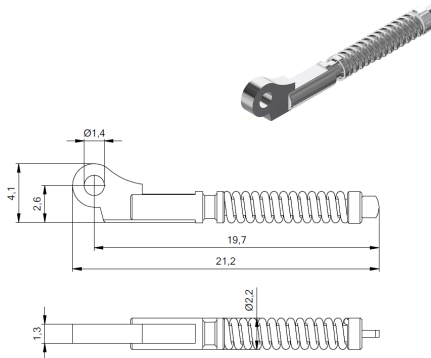
- No friction with washer integrated
- Protection with gold plating

OBE mechanisms for metal temples

flexino
INTEGRATED
Size L

60-04055.100

- 1 barrel mechanism for **large temples**
- Recommended temple width **2.8 – 6.0 mm**
- **1.3 mm** barrel thickness
- Assembly by peening

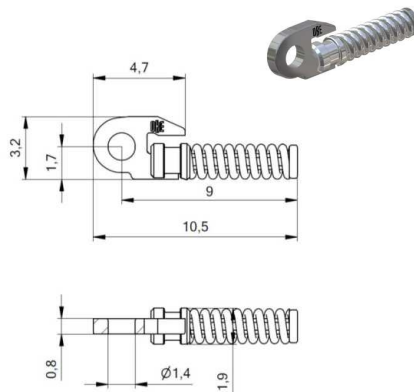


- 21.6 mm total length
- Made from nickel silver
- **No double action**
- For round shaped temples

flexino
INTEGRATED
Size M SHORT

60-46500.120

- 1 barrel mechanism for
 - **medium temples** or
 - **end pieces**
- Recommended temple width **2.6 – 3.4 mm**
- Stamped in stainless steel
- **0.8 mm** barrel thickness
- 10.5 mm total length
- With OBE Logo
- Assembly with temple / end piece by peening



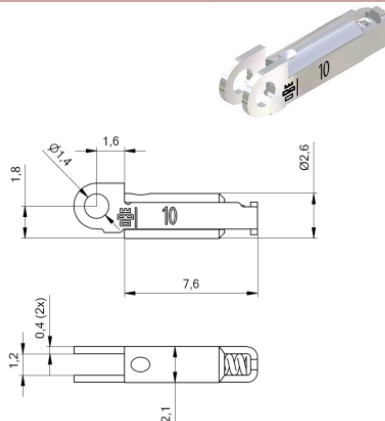
flexUno
INTEGRATED
Size XL SHORT

60-44063.20X

60-44063.85X

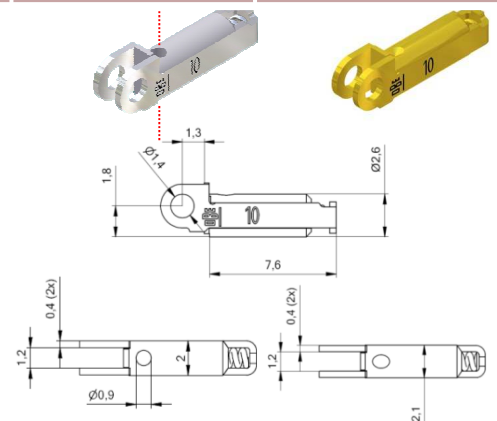
60-44063.82X

- 2 barrel mechanism for
 - **large temples** or
 - **end pieces**
- Recommended temple width **3.2 – 8.0 mm**
- **Anti-rocking flexUno technology**
- Stamped in stainless steel
- 2 x 0.4 mm barrel thickness
- 10.5 mm total length
- Assembly with temple by peening



Regular metal temples

- Two spring forces spring available
- Assembly by peening



Aluminum & Titanium temple

- No friction with washer integrated
- Strong or soft spring
- Assembly by screwing (85X)
- Assembly by peening (82X)



OBE GmbH & Co. KG · Turnstr. 22 · 75228 Ispringen · Germany
Tel. +49 7231 802-0 · www.obe.de · info@obe.de