

Bella

SPRING HINGE TEMPLES



MECHANISMS & TEMPLES

Bella

SPRING HINGE TEMPLES

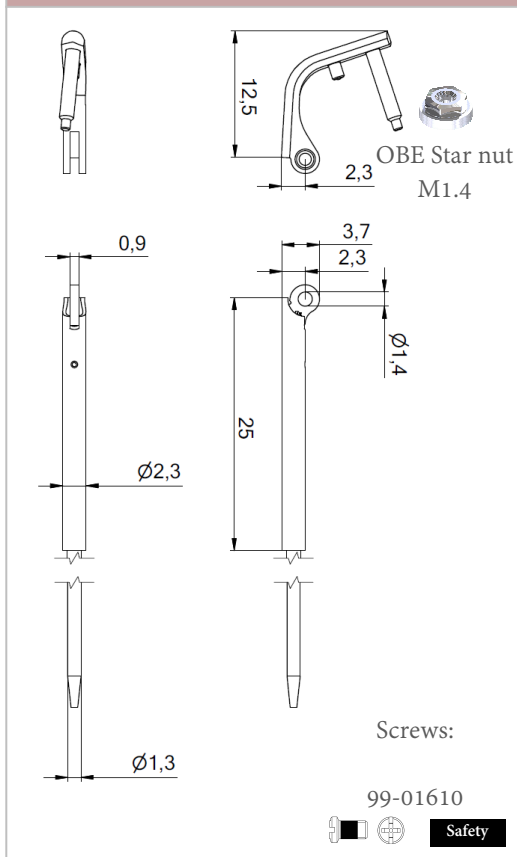
60-17051

- Ø 2.3 mm
- Temple made from bronze / end piece made from nickel silver
- Equipped with proven mechanism flexIno 60-44022.500
- Smooth single action with Safety Screw **Safety**
- Tested with 50.000 movements
- Uncoated or nickel plated
- Optionally assembled with end pieces
- Optionally with nickel plating



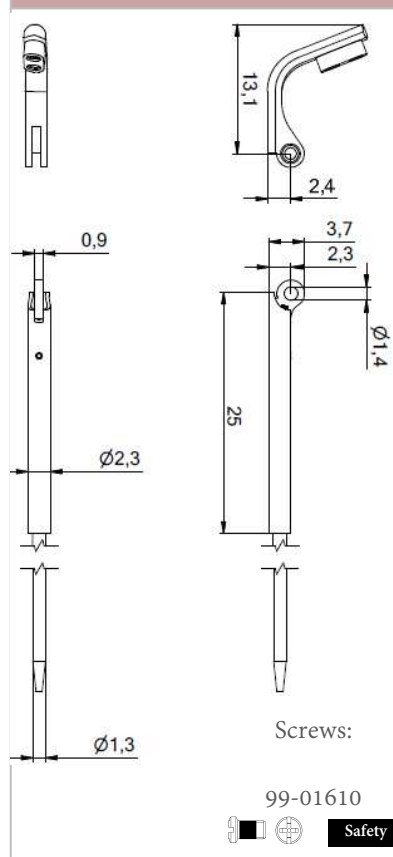
for rimless frames

60-17051.28X - assembled
60-17051 with 52-14023.111 - loose



for plastic frames

60-17051.39X - assembled
60-17051 with 52-14023.400 - loose



for metal frames

60-17051.29X - assembled
60-17051 with 52-05023.000 - loose

