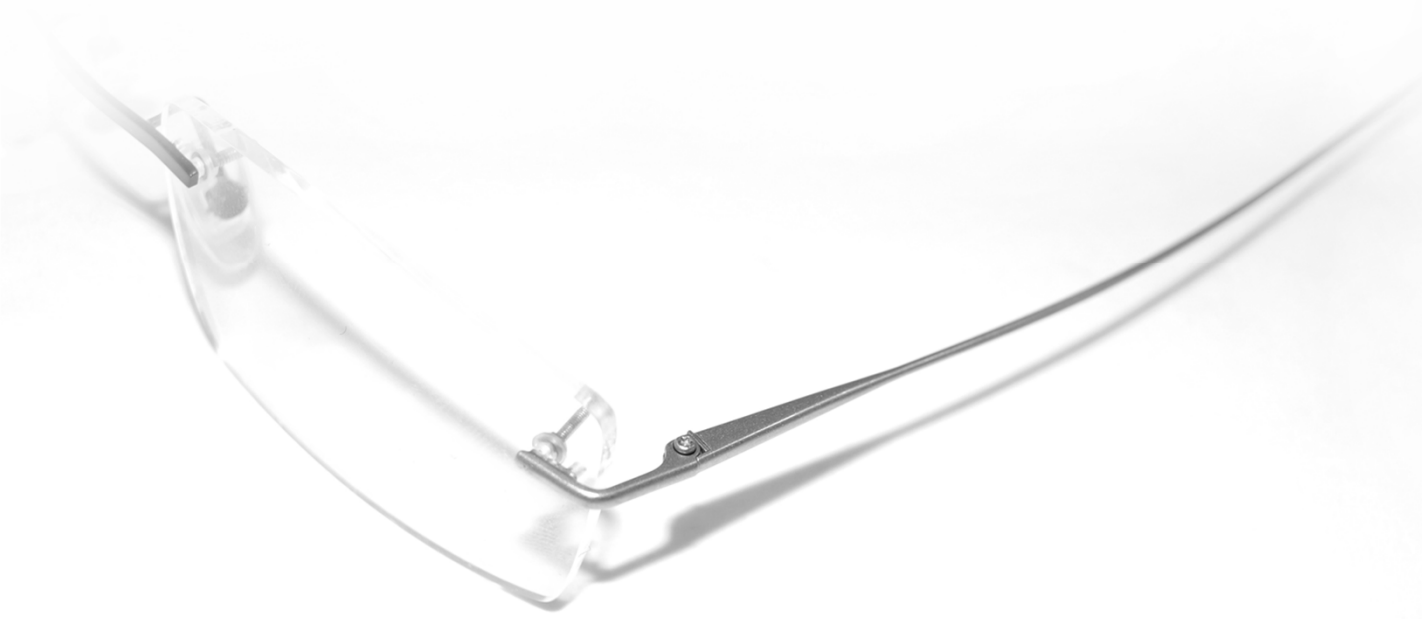


Simple(X)



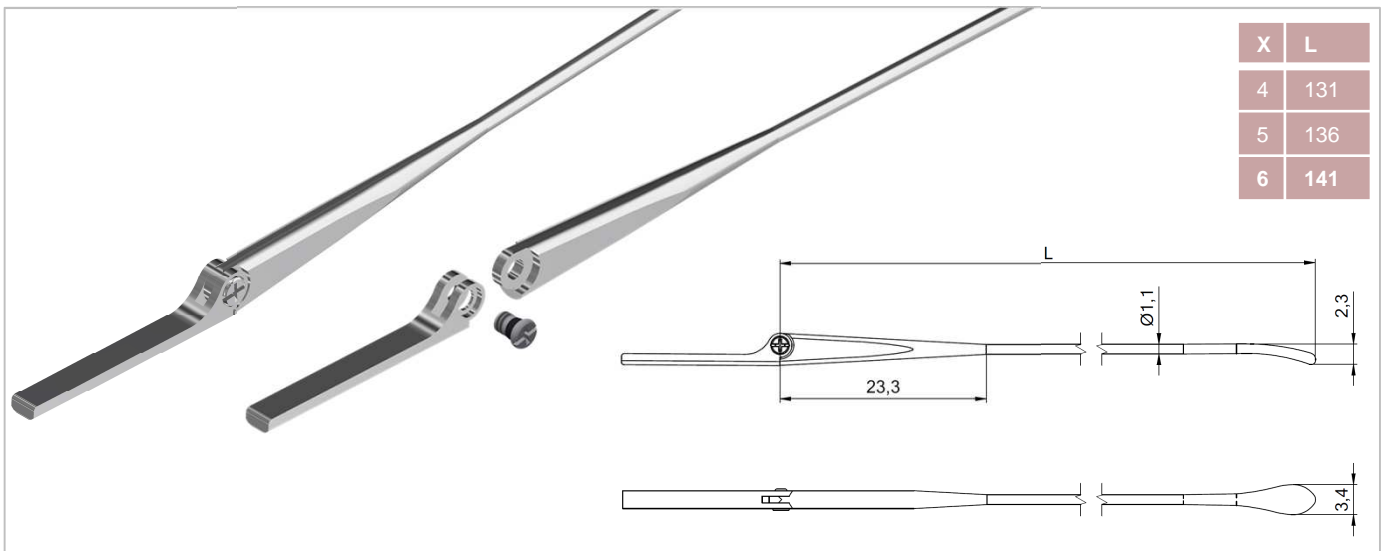
MECHANISMS & TEMPLES

Simple

NON FLEX TEMPLES

66-45020.296

- **Non flex temple** 100% stainless steel assembled with endpiece
- 1.9 mm wide
- Optimum articulation with ISS screw



Simplex

SPRING HINGE TEMPLES

60-45019.89X

- **Spring hinge temple** 100% stainless steel assembled with endpiece
- 1.9 mm wide
- Gold plated mechanisms for smooth articulation

