

Wafer

TITANIUM



TITANIUM SPRING HINGES

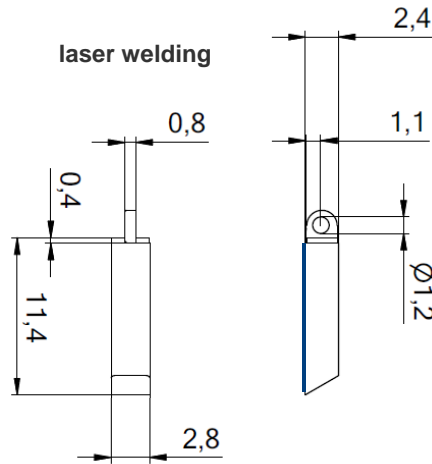
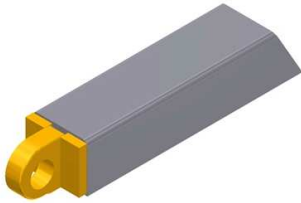
Wafer

TITANIUM

- Zero allergy titanium spring hinge in low profile for **pure titanium frames**
- Zero rocking mechanism in stainless steel already pre-assembled
- Corrosion resistance thanks to gold plating
- 25% of recycled titanium chips are used in the production of new cases



60-24006



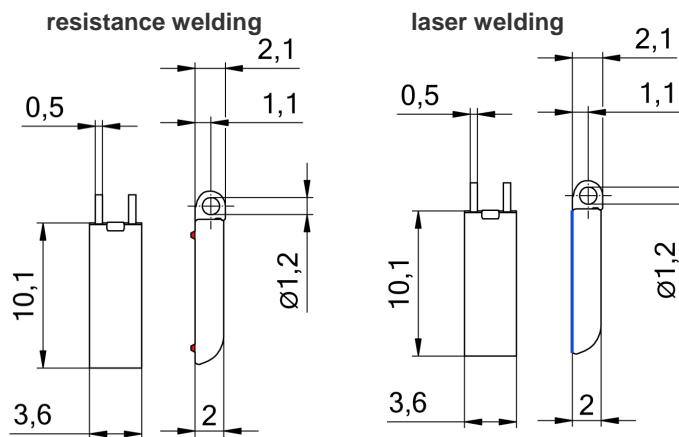
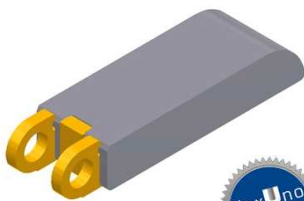
Available versions:

- 60-24006.240: loose box with integrated mechanism
- 60-24006.545: already assembled with front hinge + plus-minus screw
- 60-24006.540: already assembled with front hinge + minus screw

Matching parts

Front hinges for soldering and laser welding	Screws
52-24006	99-01756 99-02031

60-24X61



Available versions:

- 60-24061: resistance welding
- 60-24161: laser welding

Matching parts

Front hinges for soldering and laser welding	Front hinges for welding	Front hinges for plastic frames	Screws
52-24161	52-24061	33-04066 nickel silver 0°/6° inclination	99-02023

