

Chip

WITH FLEXUNO



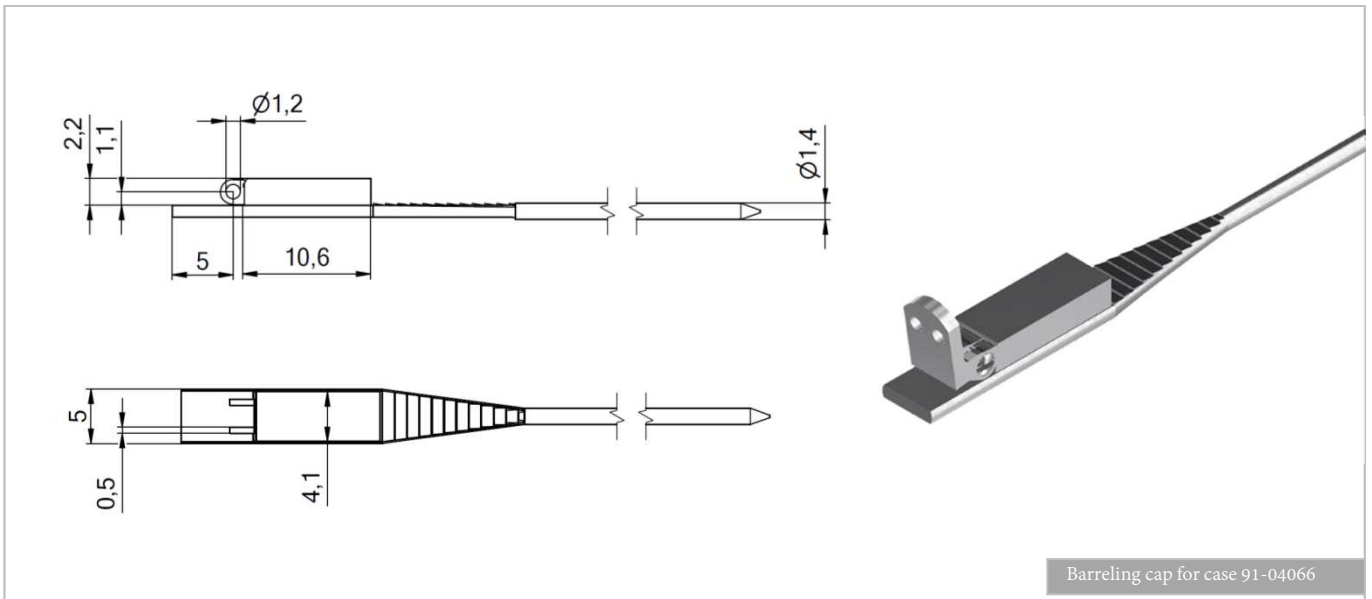
HIDDEN SPRING HINGES

Chip

WITH FLEXUNO

73-04066.50X

- Spring hinge case in brick look
- Low construction
- 4.0 mm wide
- Equipped with flexUno antirocking system
- 75% of recycled nickel silver chips are used in the production of new cases



Barreling cap for case 91-04066

Matching parts - Standard

Front hinges for plastic frames 90°	Front hinges for plastic frames 180°	Step hinges for soldering	Rivet hinges / Rivets	Hinge screws
<p>33-04066 33-04266 off center</p> <p>0°/6° inclination</p>	<p>33-04166</p>	<p>52-04166</p>	<p>51-05066</p> <p>11-20247 - 8.0 mm 11-20251 - 5.4 mm 11-20245 - 4.2 mm 11-20246 - 3.0 mm</p>	<p>99-01732 99-02036 99-02036.800 self aligning for break off</p>



OBE GmbH & Co. KG · Turnstr. 22 · 75228 Ispringen · Germany
Tel. +49 7231 802-0 · www.obe.de · info@obe.de