

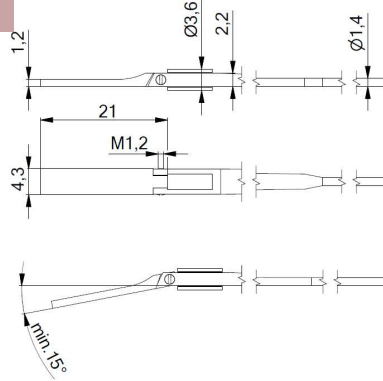
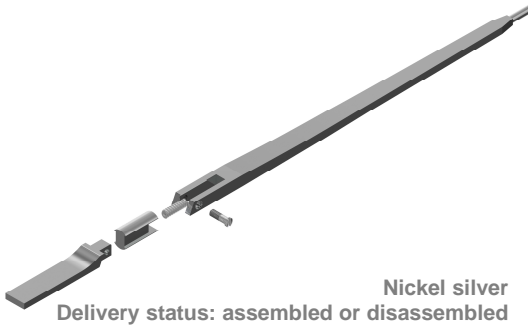
PS-Flex



PS-Flex

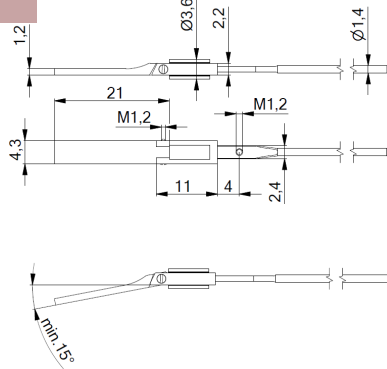
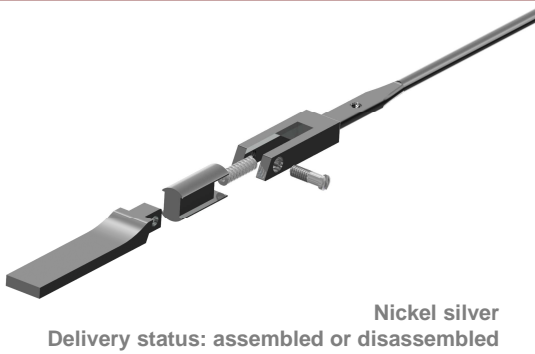
- Plain & Simple spring hinge concept in nickel silver
- 20° opening angle
- Optionally 180° opening angle on request



PS-Flex temple - Nickel silver – 60-01074 Metal temple version



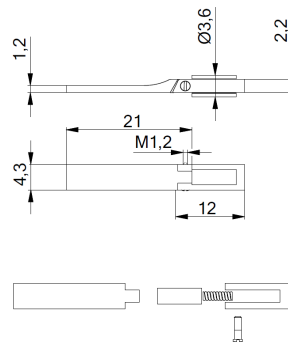
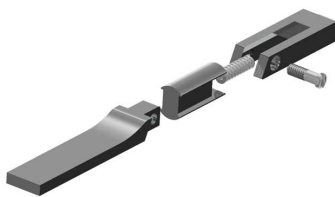
Temple	68-01074
Sleeve	11-01071
Spring	97-00053
One piece end piece	52-01072
Hinge screws	99-02023

PS-Flex with wire – 60-01072 Long temple tip version



Case with soldered wire	68-01072
Sleeve	11-01071
Spring	97-00053
One piece end piece	52-01072
Hinge screws	99-02023
Fixing screws for temple tips	99-02015  99-01751 

PS-Flex loose – 60-01073 Loose version



Case	17-01073
Sleeve	11-01071
Spring	97-00053
One piece end piece	52-01072
Hinge screws	99-02023

PS 180 ° opening angle On request

