

CamouFlex

WITH DOUBLE ACTION



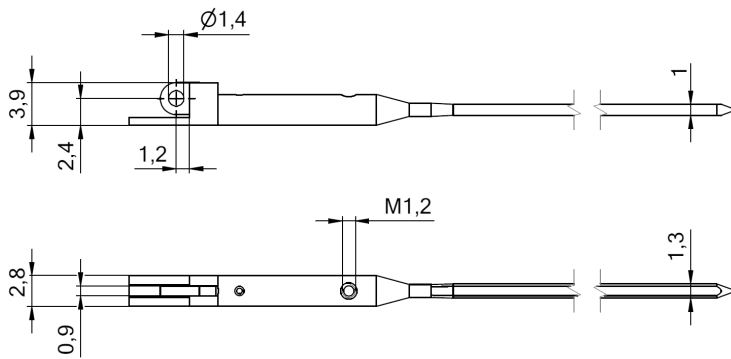
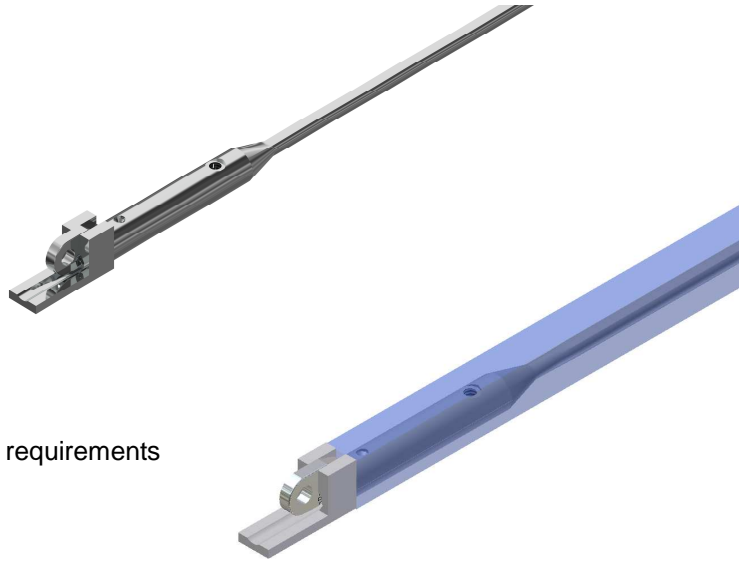
HIDDEN SPRING HINGES

CamouFlex

WITH DOUBLE ACTION

60-08041

- No metal spring hinge visible
- Double action
- 2.8 mm wide
- Made from nickel silver
- Mechanism made from stainless steel
- Longer overlap for individual adaptation
- Yellow area can be re-modeled for special design requirements
- Additional temple tip hold with screw
- Different materials of temple tip possible



Matching parts

Front hinges for plastic frames 90°	Front hinges for plastic frames 180°	Step hinges for soldering	Hinge screws	Fixation of temple
33-04041	33-05016	52-05128	99-01812 99-02507 99-04812 99-02016.800 self aligning for break off	99-02006

