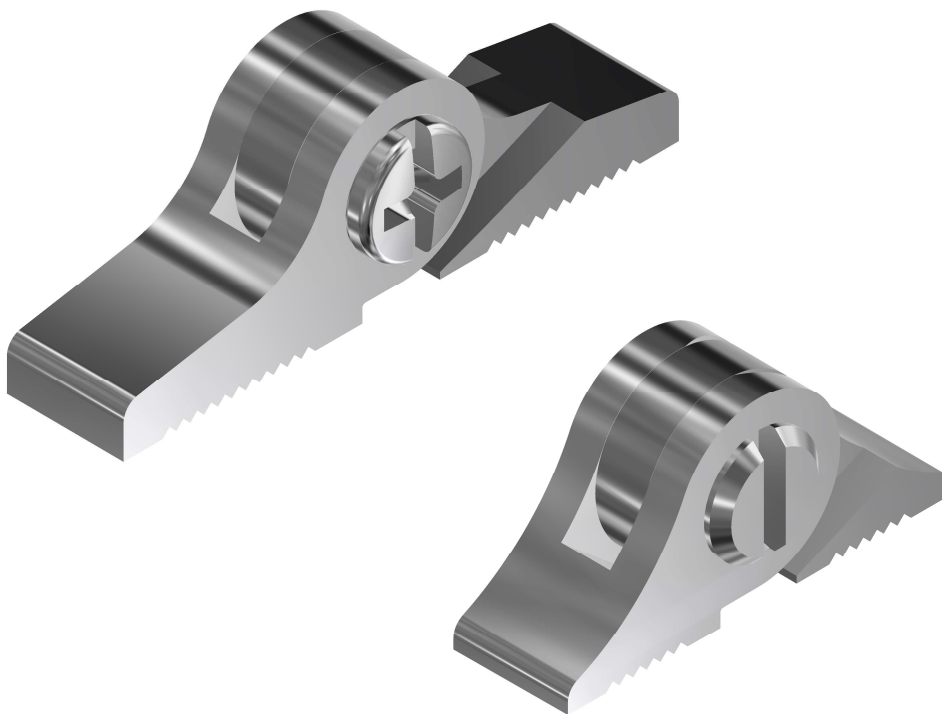


Conical hinges

NICKEL SILVER

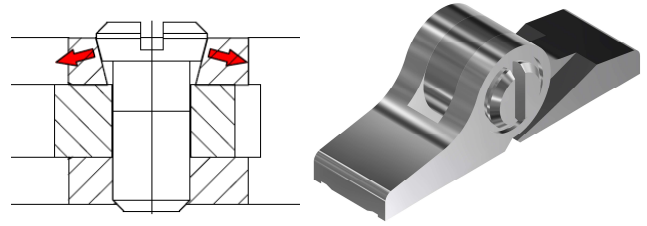


Regular hinges

Conical hinges

NICKEL SILVER

- Regular nickel silver hinge for **metal templates**
- Anti-loosening & overtightening function with conical head system
- Available widths: 2.1 / 3.0 / 3.5 / 4.0 mm
- Delivery status loose - assembled with screw upon request

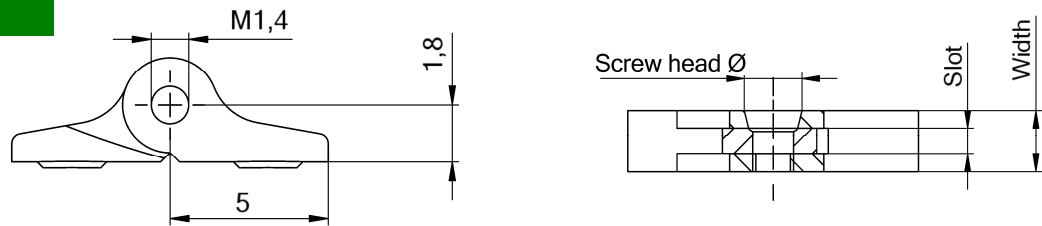


For soldering

Profile: A	Profile: B

Art.No.	51-04400	51-04408	51-04407	51-04405	51-04401	51-04402	51-04412	51-04403
Profile	A	B	A	B	A	A	B	A
Width	2.1	2.1	2.5	2.5	3.0	3.5	3.5	4.0
Slot	0.9	0.9	1.0	1.0	1.2	1.4	1.4	1.6
Screw head Ø	2.0	2.0	2.0	2.0	2.0	2.0	2.0	2.0
Screws	 99-01810 99-02506	 99-01811 99-02525 99-04811	 99-01813 99-02501	 99-01817 99-02502	 99-01816 99-02503 99-04816			

For welding



Art.No.	50-04446	50-04448	50-04449
Width	2.1	2.5	2.8
Slot	0.9	1.0	1.2
Screw head Ø	2.0	2.0	2.0
Screws	 99-01810 99-02506	 99-01811 99-02525 99-04811	 99-02507

