

flexino
STAINLESS STEEL

Slim – Strong – Safe



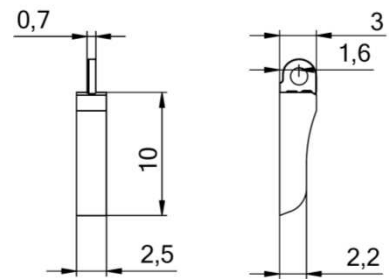
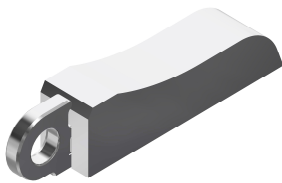
STAINLESS STEEL SPRING HINGES

flexino

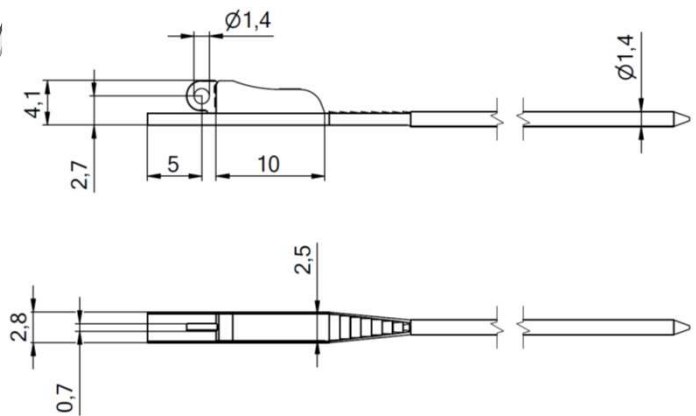
STAINLESS STEEL

- 100% stainless steel
- No nickel treatment
- Sustainable with 75% recycling share
- Only 2.5 mm wide
- No corrosion – high tensile strength
- flexIno one barrel mechanism in preassembled in case

SUPER SLIM SIZE 2.5 MM: 60-44051 – Loose stainless steel spring to be laser welded for metal frames



SUPER SLIM SIZE 2.5 MM: 73-44051 – Spring hinge on wire in stainless steel for inserting in acetate frames



Stainless steel matching parts

Front hinges for soldering	Front hinges for plastic frames 90°	Screws
52-45051	33-44151	99-01811 99-02525

