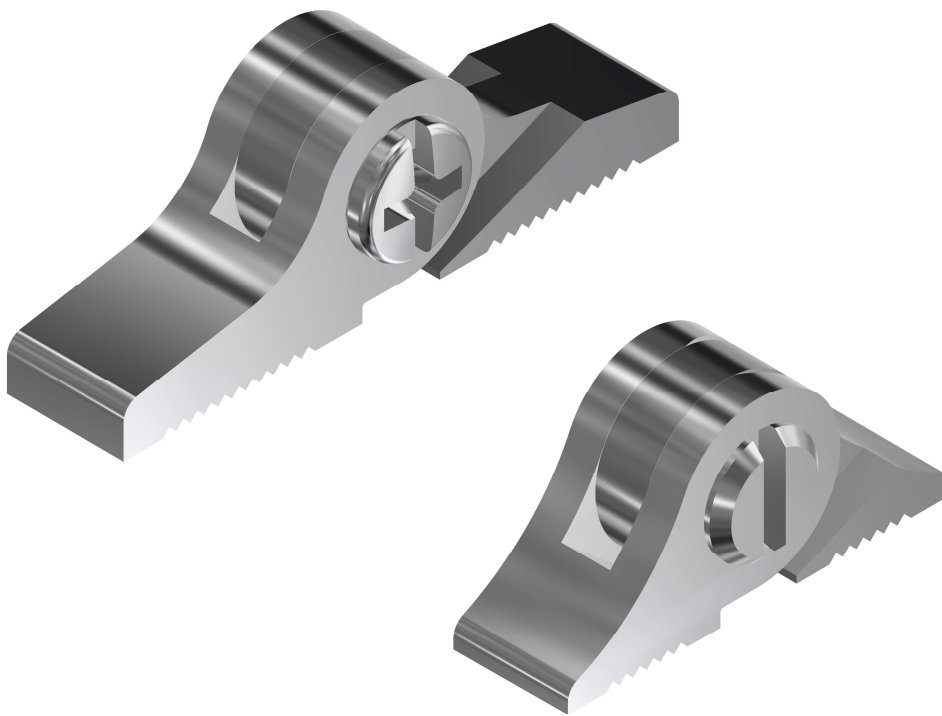


# Space hinges

NICKEL SILVER



Regular hinges

# Space hinges

NICKEL SILVER

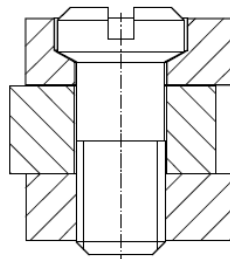
- Regular nickel silver hinge for **metal templates**
- Optional smooth movement & anti-loosening function with Space screws
- For soldering
- Available widths: 3.0 / 3.5 / 4.0 mm
- Delivery status loose – assembled with screw upon request



Profile: A	Profile: B

Art.No.	51-04206	51-04120	51-04418	51-04121	51-04205
Profile	A	B	A	B	A
Width	3.0	3.0	3.5	3.5	4.0
Slot	1.2	1.2	1.4	1.4	1.6
Screw head Ø	2.0	2.0	2.0	2.0	2.0
Screws	<p>Space</p> <p>99-05324.600 99-02324.600 99-01375</p>	<p>Space</p> <p>99-05325.600 99-02325.600 99-01376 99-01700</p>	<p>Space</p> <p>99-05327.600 99-02327.600 99-01377</p>		

Standard



Space

