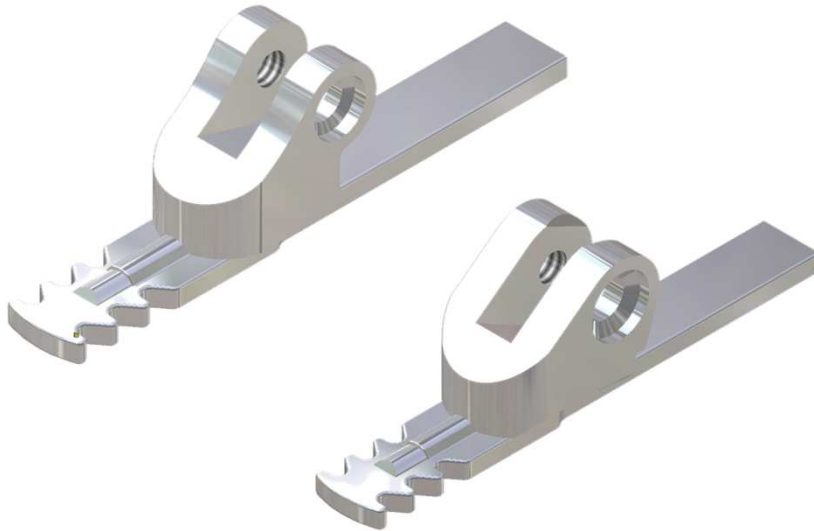


Animelle

HINGES FOR INJECTION FRAMES



Regular hinges

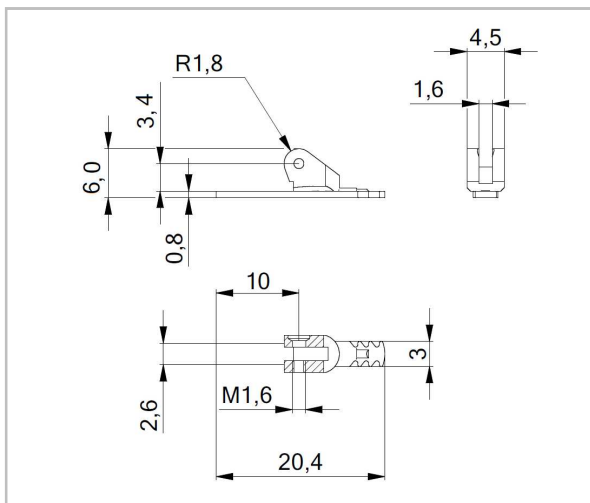
Animelle

HINGES FOR INJECTION FRAMES

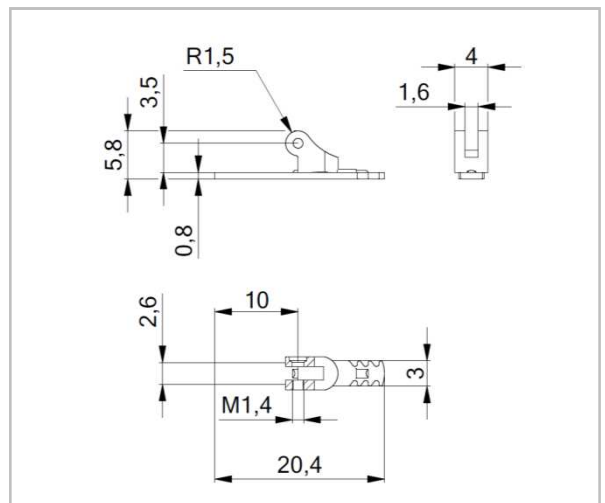
	70-02050	70-02057
Width	4.5 mm	4.0 mm
Material	Nickel silver	Nickel silver
Length	20.4 mm	20.4 mm
Total height	6.0 mm	5.8 mm
Screw system	M1.6	M1.4

- Perfect for injection frames
- Smooth articulation with injection plastic hinge

70-02050



70-02057



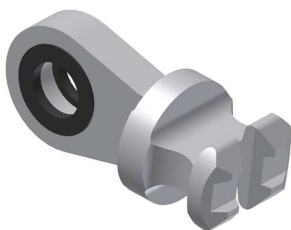
Matching parts:

Safety hinges 90°	32-02483
Safety hinges 180°	33-04540
Screws	99-01455 ⊖

Matching parts:

Safety hinges 180°	33-04541
Screws	99-01377 ⊖

Safety Hinge 90°



Safety Hinge 180°

