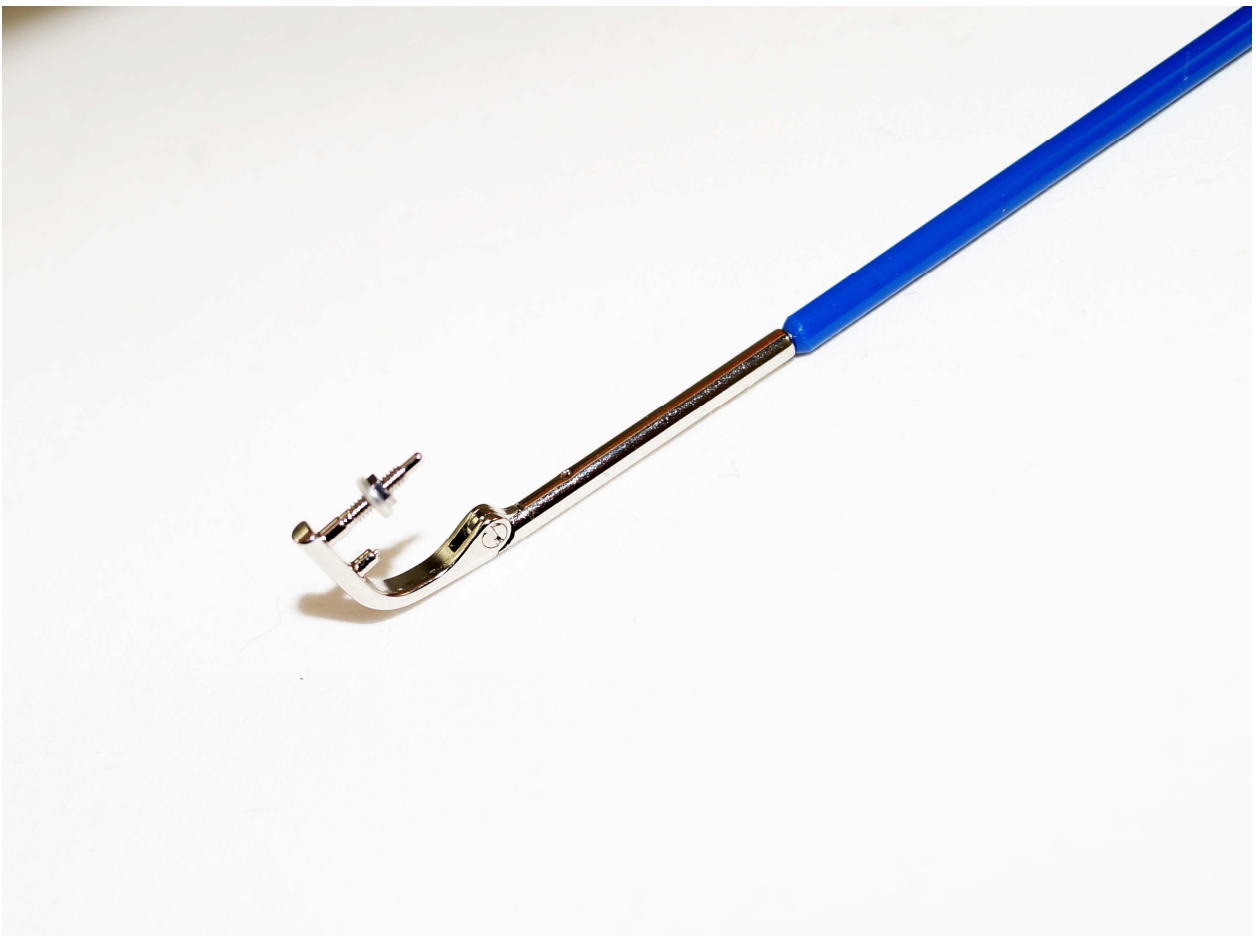


Bella

SPRING HINGE TEMPLES



MECHANISMS & TEMPLES

Bella

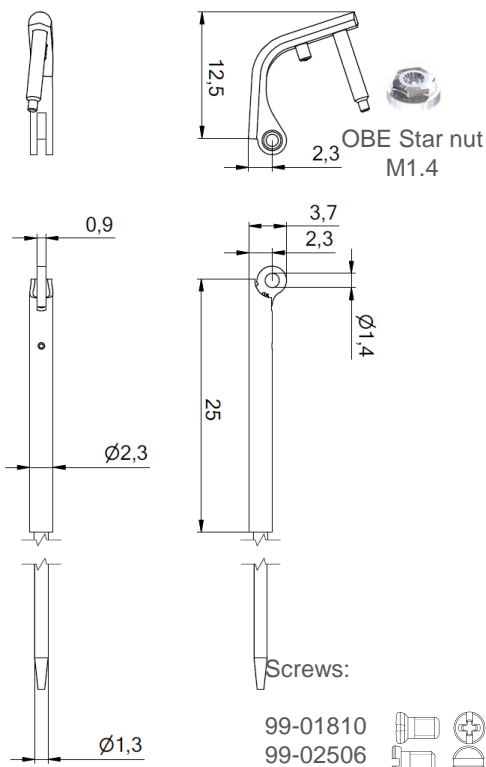
SPRING HINGE TEMPLES

60-17051

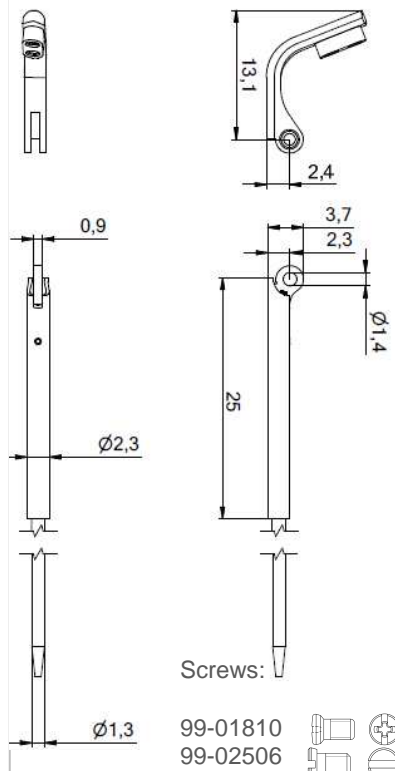
- Ø 2.3 mm
- Made from bronze
- Equipped with proven mechanism flexIno 60-44022.500
- Single action
- Optionally 2 endpieces
- Tested with 50.000 movements



60-17051 with one piece end piece
52-14023.111



60-17051 with one piece end piece
52-14023.200



60-17051 with one piece end piece
52-04023

