

Hinges on wire



REGULAR HINGES

Hinges on wire

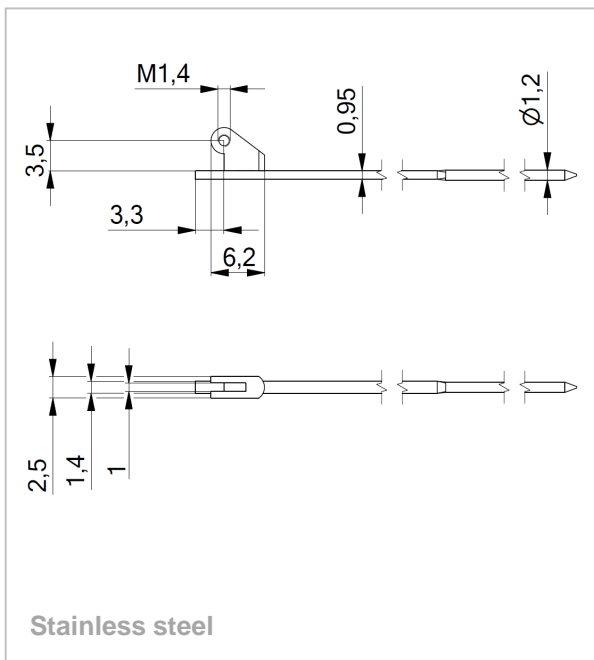
- Wire core with hinge for shooting into plastic
- 5 sizes available
- Ideal plastic fixing through special wire design
- Safety screw or hinge for excellent movement of the temple

70-48716

Pinox

2.5 mm wide

Minimum width with plastic: 2.8 mm



Matching parts

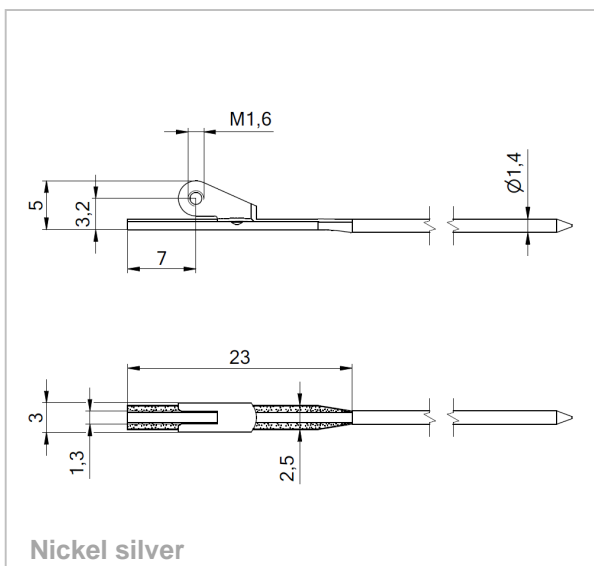
Wire + hinge		18-45143 + 52-09080
Front hinges for soldering		51-04405
Front hinges for welding		50-04448
Front hinges for plastic frames 90°		33-04553*
Front hinges for plastic frames 180°		33-01870
Rivet hinges		51-05009* 51-05007*
Screws		99-01510

* 6° inclination possible

70-07621

3.0 mm wide

Minimum width with plastic: 5.0 mm



Matching parts

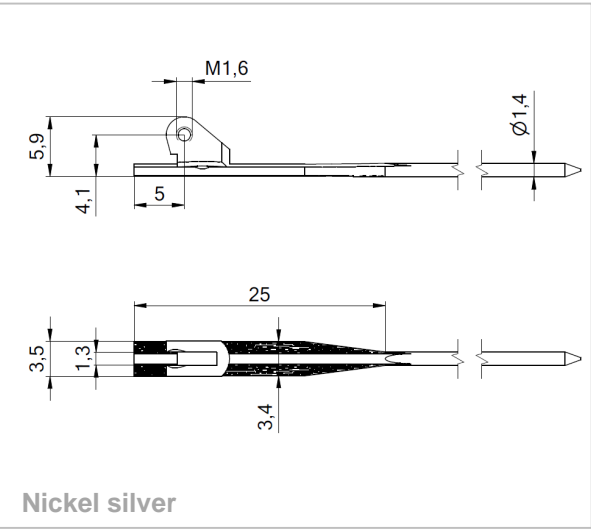
Wire + hinge		18-02983 + 42-03984
Safety hinges for plastic frames 90°		33-04215 33-04211 round foot
Front hinges for plastic frames 90°		33-04221
Safety hinges for plastic frames 180°		33-04538
Step hinges for soldering		52-04255
Screws		99-01458 for safety hinges 99-01523 for standard hinges

Hinges on wire

70-07759

3.5 mm wide

Minimum width with plastic: 5.5 mm



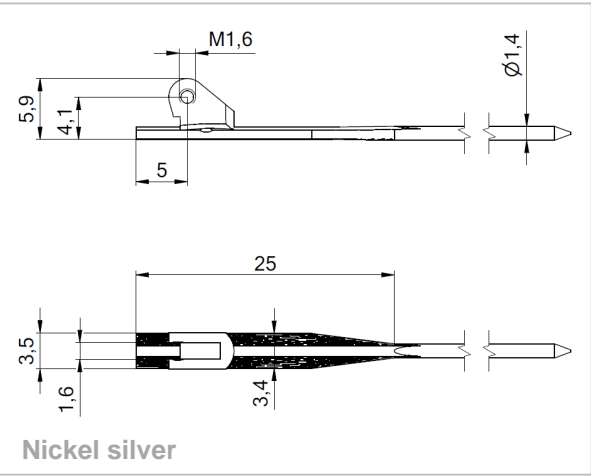
Matching parts

Wire + hinge		18-02884 + 42-02459.000
Safety hinges for plastic frames 90°		33-04215 33-04211 round foot
Front hinges for plastic frames 90°		33-04221
Safety hinges for plastic frames 180°		33-04538
Step hinges for soldering		52-04255
Screws		99-01458 for safety hinges 99-01523 for standard hinges

70-07761

3.5 mm wide

Minimum width with plastic: 5.5 mm



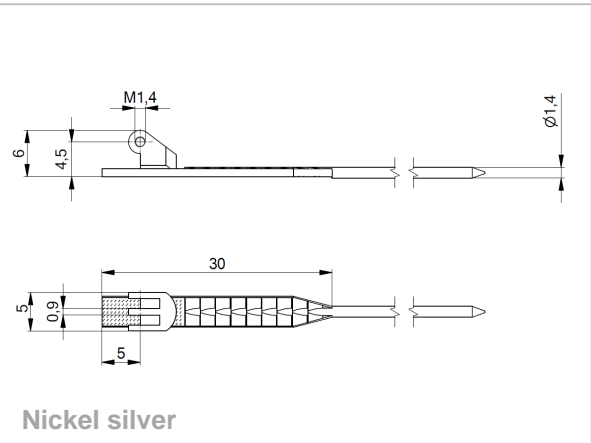
Matching parts

Wire + hinge		18-02884 + 42-02459.160
Safety hinges for plastic frames 90°		32-02483 33-04271
Safety hinges for plastic frames 180°		33-04537 33-04540
Step hinges for soldering		52-04256
Screws		99-01357

70-07765

5.0 mm wide

Minimum width with plastic: 7.0 mm



Matching parts

Wire + hinge		18-05038 + 42-02465
Front hinges for plastic frames 90°		33-04217
Rivet hinges		51-05028
Safety screws		99-02334 99-01534



OBE Ohnmacht & Baumgärtner GmbH & Co. KG · Turnstr. 22 · 75228 Ispringen · Germany
Tel. +49 7231 802-0 · Fax +49 7231 802-156 · www.obe.de · info@obe.de