



ISH

INJECTION SAFETY HINGES



Regular hinges

Plastic sleeve creates smooth and controlled temple articulation in the long term

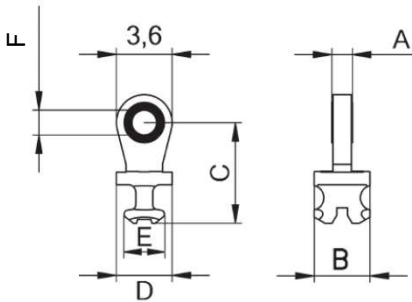
Front hinge made from nickel silver



Less temple rocking thanks to perfect fit in female hinge with plastic overlap

Plastic injection moulded sleeve made from polyamid

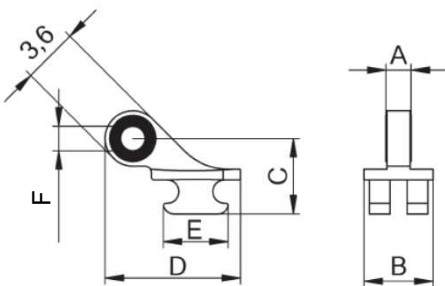
90°



Front hinges 90°

Art. No.	A	B	C	D	E	F
33-04215	1.3	2.8	6.5	4.0	3.0	Ø1.6
33-04211	1.3	4.5	6.5	4.0	3.0	Ø1.6
32-04271	1.5	4.5	6.5	4.0	3.0	Ø1.6
32-02483	1.6	7.0	6.7	4.0	3.0	Ø1.6

180°



Front hinges 180°

Art. No.	A	B	C	D	E	F
33-04538	1.3	3.5	4.9	8.8	4.2	Ø1.6
33-04541 with stop	1.6	4.0	5.3	9.1	3.8	Ø1.6
33-04537	1.6	4.5	4.9	8.8	4.2	Ø1.6
33-04540	1.7	4.0	5.1	9.5	3.8	Ø1.6