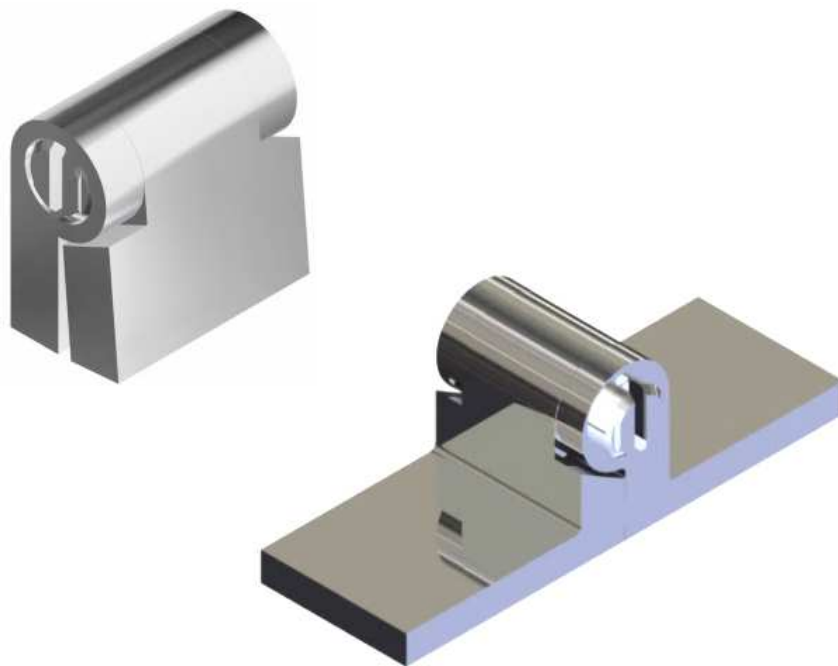


# Lip

REGULAR HINGES

**Design your temple around the hinge**



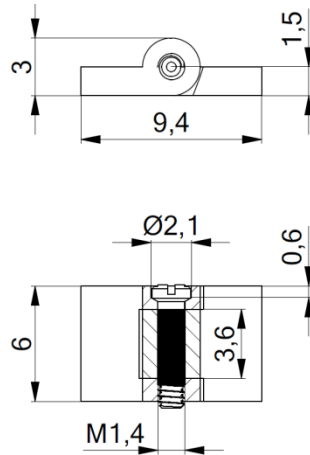
REGULAR HINGES

# Lip

## REGULAR HINGES

### 51-04438.200

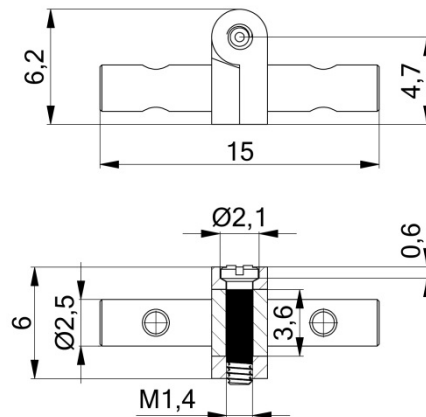
- Variable design hinge
- For metal frames
- Several soldering areas possible
- Made from nickel silver
- 6 mm wide – other widths on demand
- Available loose or with dummy screw
- Smooth movement with safety screw



Safety screws: 99-01532   99-02332   Dummy screw: 99-01719  

### 51-04438.208

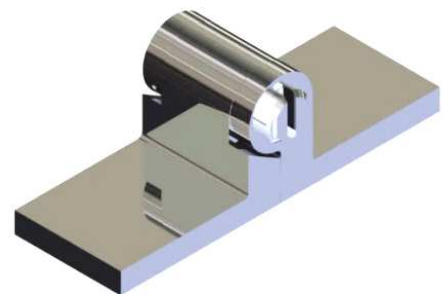
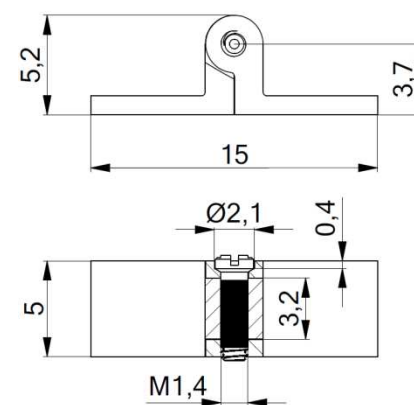
- Variable design hinge
- For plastic / wood / 3D materials
- Made from nickel silver
- 6 mm wide – other widths on demand
- Available loose or with dummy screw
- Smooth movement thanks to safety screw



Safety screws: 99-01532   99-02332   Dummy screw: 99-01719  

### 51-05013

- Variable design hinge
- For metal frames
- Made from nickel silver
- 5 mm wide – other widths on demand
- Available loose or with dummy screw
- Smooth movement thanks to safety screw
- Connection pins / blocks available for using hinge in other frame materials

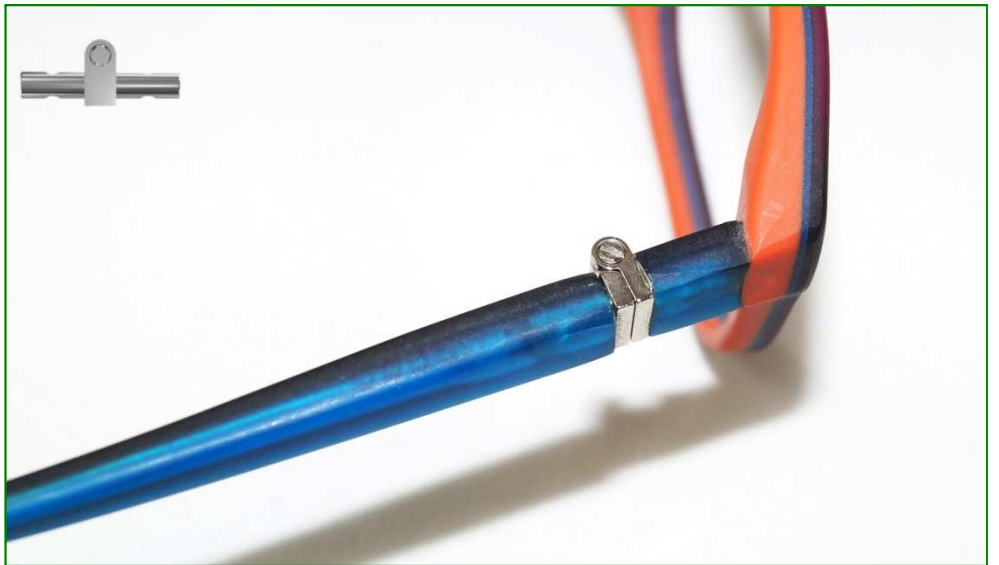


Safety screws: 99-01534   99-02334   Dummy screw 99-01718  

Connection pin: 11-20031  Connection block: 11-20030 

# Lip

REGULAR HINGES





**OBE Ohnmacht & Baumgärtner GmbH & Co. KG · Turnstr. 22 · 75228 Ispringen · Germany**  
**Tel. +49 7231 802-0 · Fax +49 7231 802-156 · [www.obe.de](http://www.obe.de) · [info@obe.de](mailto:info@obe.de)**