

Pins-Up

MADE IN MIM-TECHNOLOGY

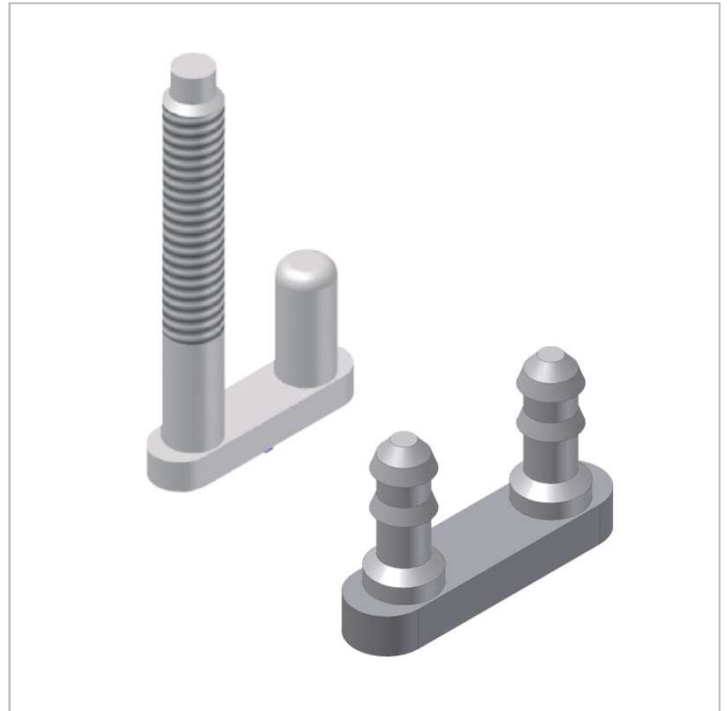


ACCESSORIES

Pins-Up

MADE IN MIM-TECHNOLOGY

- Fixing system for rimless frames
- Stable one piece construction
- Made from stainless steel (MIM)
- The plate can be modified/personalised



64-42004

- screw system

64-42005

- clip system

