

PS-Flex



Patent pending

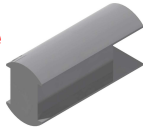


SPECIAL SPRING HINGES

PS-Flex

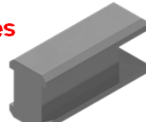
- **P**lain & **S**imple spring hinge concept
- Optionally as metal temple, wire version or loose
- Available materials: nickel silver or titanium
- Different design sleeves available
- Sleeves can be coated / coloured - OBE delivery status neutral

Standard sleeve

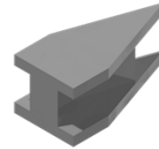


11-01071

Optional sleeves



11-01072

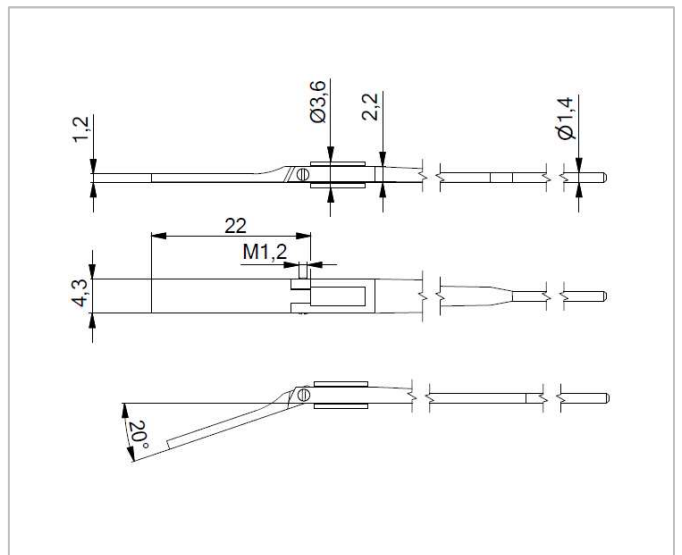
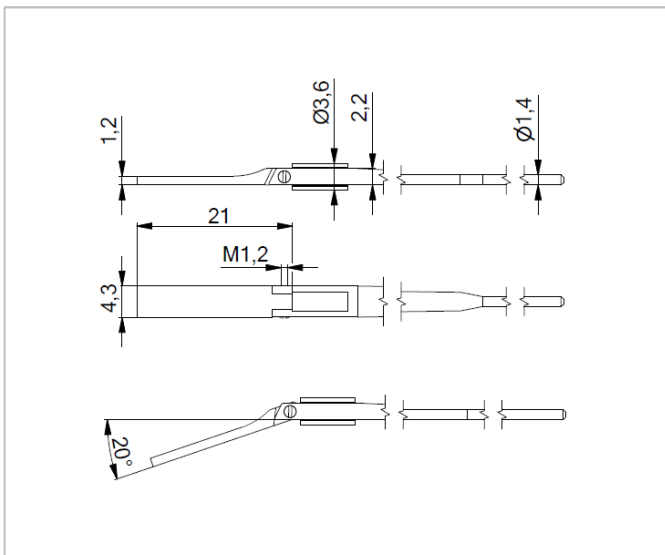


11-01073

PS-Flex temple - Nickel silver – 60-01074



PS-Flex temple - Titanium – 60-21075

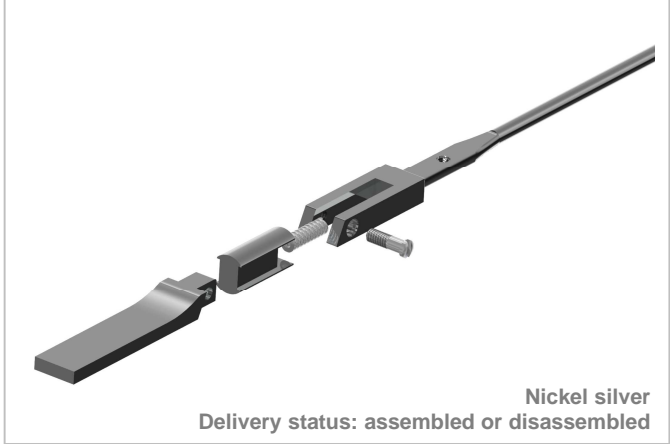


Temple	68-01074
Standard sleeve	11-01071
Spring	97-00053
One piece end piece	52-01072
Hinge screws	99-02023

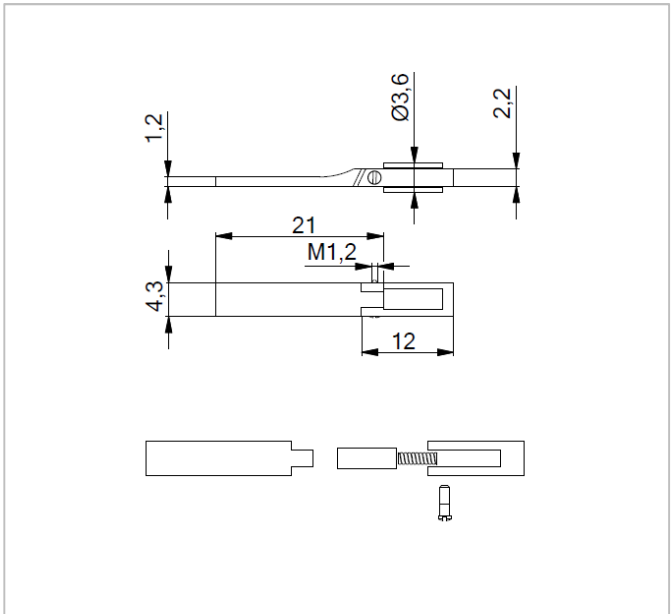
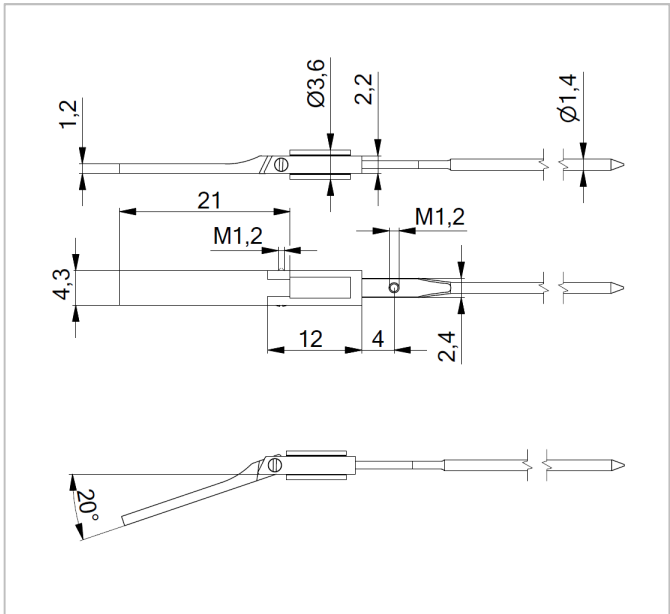
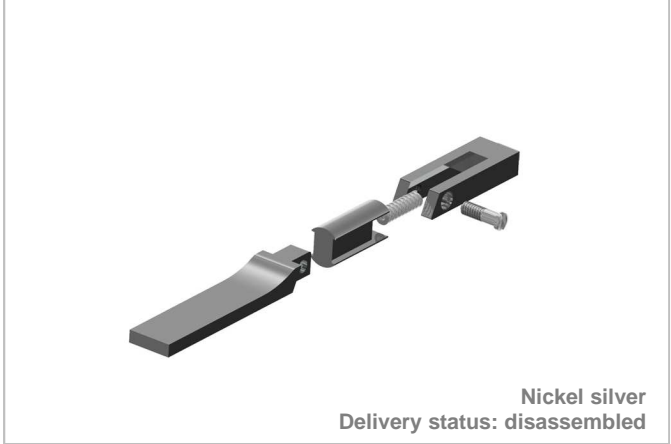
Temple	68-21075
Standard sleeve	11-01071
Spring	97-00053
One piece end piece	52-21074
Hinge screws	99-02023



PS-Flex

PS-Flex with wire – 60-01072
Choose a long temple tip!



PS-Flex loose – 60-01073
Create your own temple solution!



Case with soldered wire	68-01072
Standard sleeve	11-01071
Spring	97-00053
One piece end piece	52-01072
Hinge screws	99-02023
Fixing screws for temple tips	99-02015  99-01751 

Case	17-01073
Standard sleeve	11-01071
Spring	97-00053
One piece end piece	52-01072
Hinge screws	99-02023



OBE Ohnmacht & Baumgärtner GmbH & Co. KG · Turnstr. 22 · 75228 Ispringen · Germany
Tel. +49 7231 802-0 · Fax +49 7231 802-156 · www.obe.de · info@obe.de