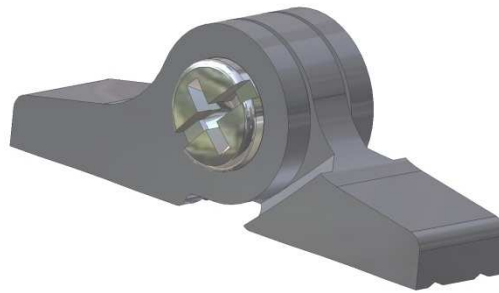


Titanium

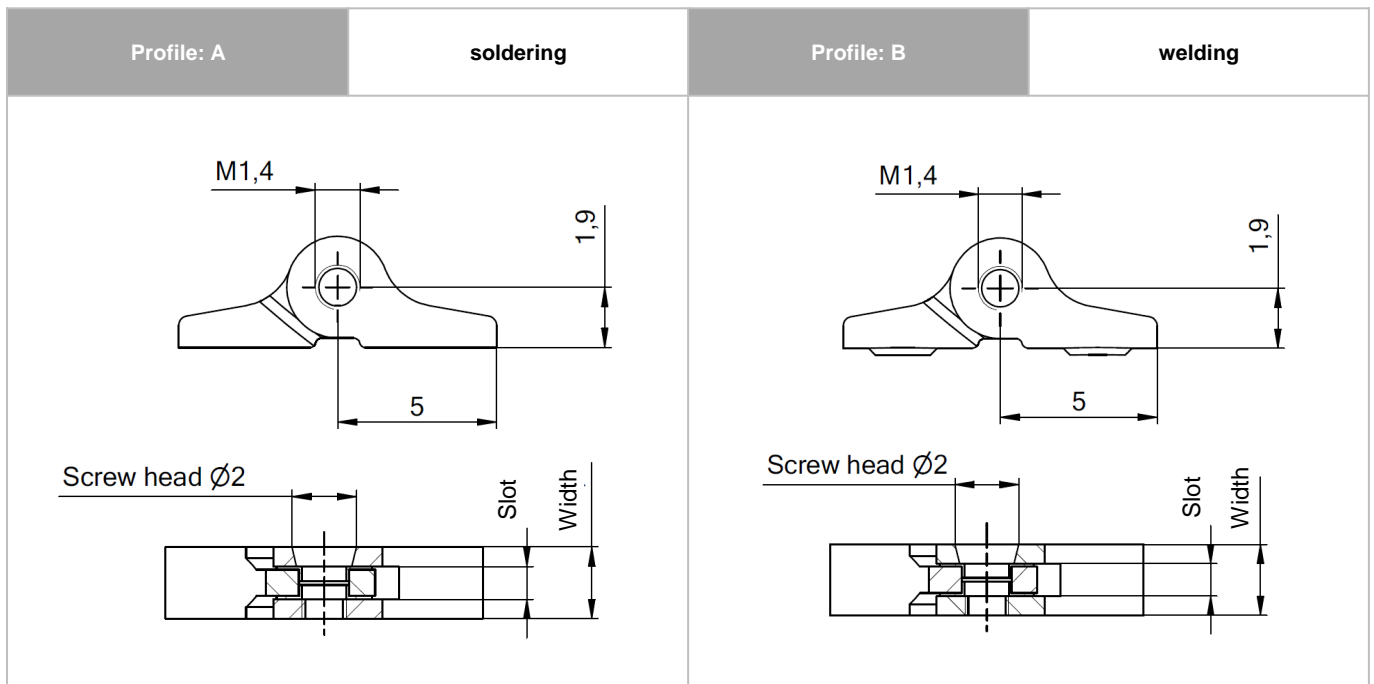
REGULAR HINGES



Titanium

REGULAR HINGES

- 2.3 mm or 3.0 mm wide
- Made from titanium grade 2
- For soldering or welding
- With integrated washer system
- Conical head screw system M1.4
- Available with minus or plus-minus screw
- Only in assembled version available



Matching parts				
Art.No.	51-27412	50-27422	51-27414	50-27424
Profile	A	B	A	B
Width	2.3	2.3	3.0	3.0
Slot	1.0	1.0	1.2	1.2
Screw head Ø	2.0	2.0	2.0	2.0
Screws	 99-01810 99-02506	 99-01810 99-02506	 99-01813 99-02501	 99-01813 99-02501

Integrated Washer System for avoiding friction

