

Wireless

WITH FLEXUNO



SPECIAL SPRING HINGES

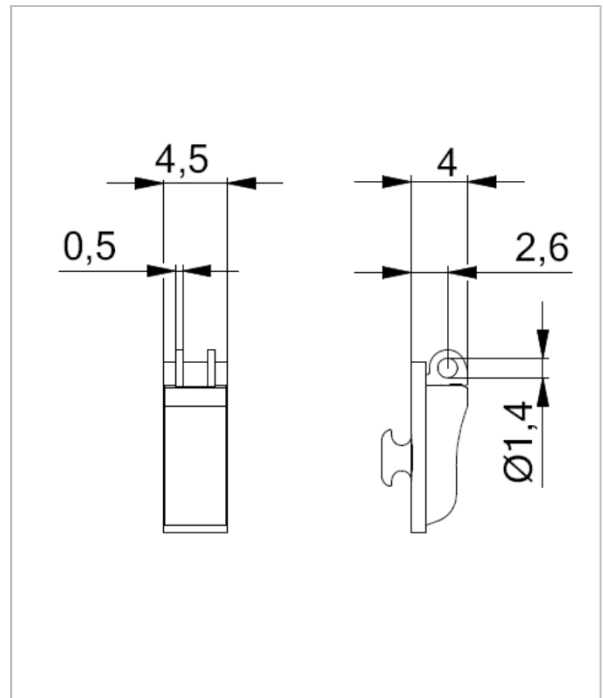
Wireless

WITH FLEXUNO

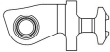


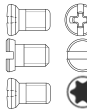
Thanks to the short construction of flexUno wireless it is possible to create more patterns and shapes of plastic temples by keeping still a spring hinge.

For temples made out of plate material (e.g. acetate) OBE offers flexUno wireless “inserting”. This product is equivalent to a 180° inserting hinge – but equipped with a spring hinge. It is recommended to use in thick plastic temples.

73-04064.000 - flexUno wireless inserting



Matching parts

| | | |
|--------------------------------------|---|----------------------------------|
| Front hinges for plastic frames 90° |  | 33-05164 * 33-04164 * |
| Front hinges for plastic frames 180° |  | 33-04065 |
| Step hinges for soldering |  | 52-05164 52-05264 52-05265 |
| Screws |  | 99-01816 99-02503 99-04816 |
| Barrelling caps for case | | 91-20212 |

* 6° inclination possible

